

Barudan

HIGH SPEED AUTOMATIC EMBROIDERY MACHINE

**ELITE PRO
BEVT-Z9/15 01CB**

PARTS LIST

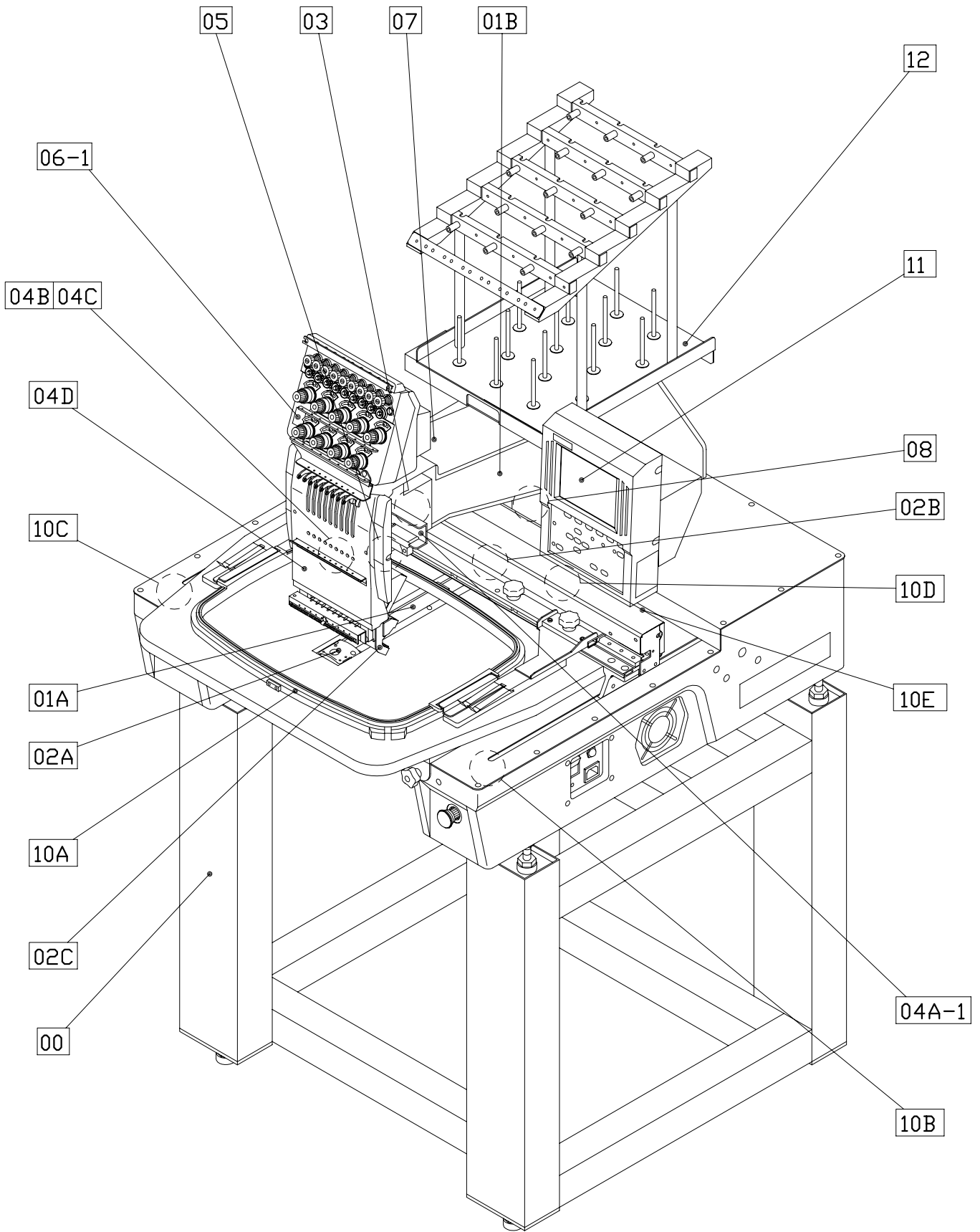
BEVT-Z9/Z15 01CB

HIGH SPEED AUTOMATIC EMBROIDERY MACHINE

CONTENTS

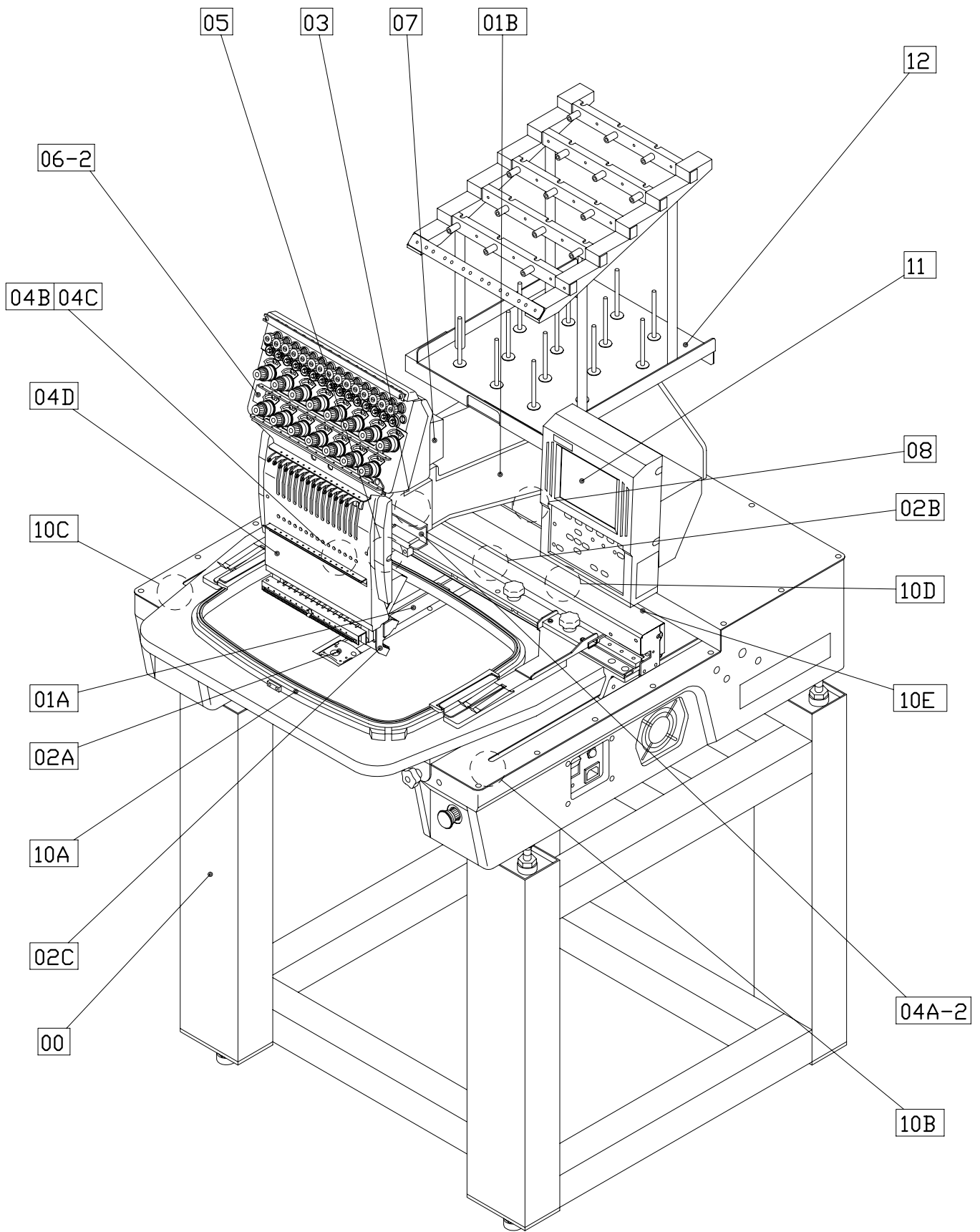
00	Table-Frame	05	Jump
01A	Head-Bed A	06-1	Thread guide (Z9)
01B	Head-Bed B	06-2	Thread guide (Z15)
02A	Thread cut A	07	Color change
02B	Thread cut B	08	Drive
02C	Thread cut C	10A	Pantograph drive A (QS)
03	Take up lever	10B	Pantograph drive B (QS)
04A-1	Needle bar A (Z9)	10C	Pantograph drive C
04A-2	Needle bar A (Z15)	10D	Pantograph drive D
04B	Needle bar B	10E	Pantograph drive E
04C	Needle bar C	11	Control
04D	Needle bar D	12	Accessories

Machine layout (BEVT-Z901CB)



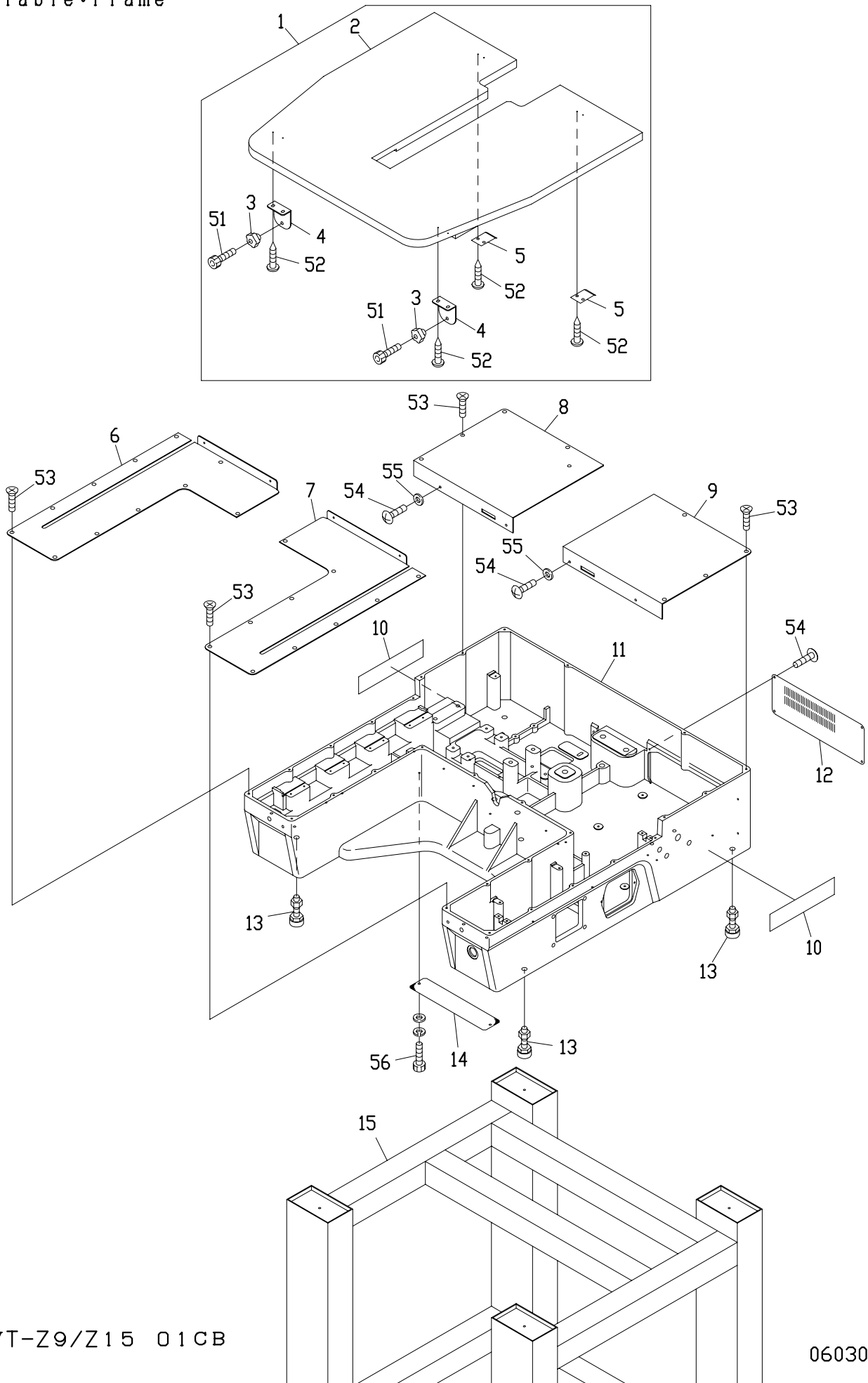
From the library of: Diamond Needle Corp

Machine layout (BEVT-Z1501CB)



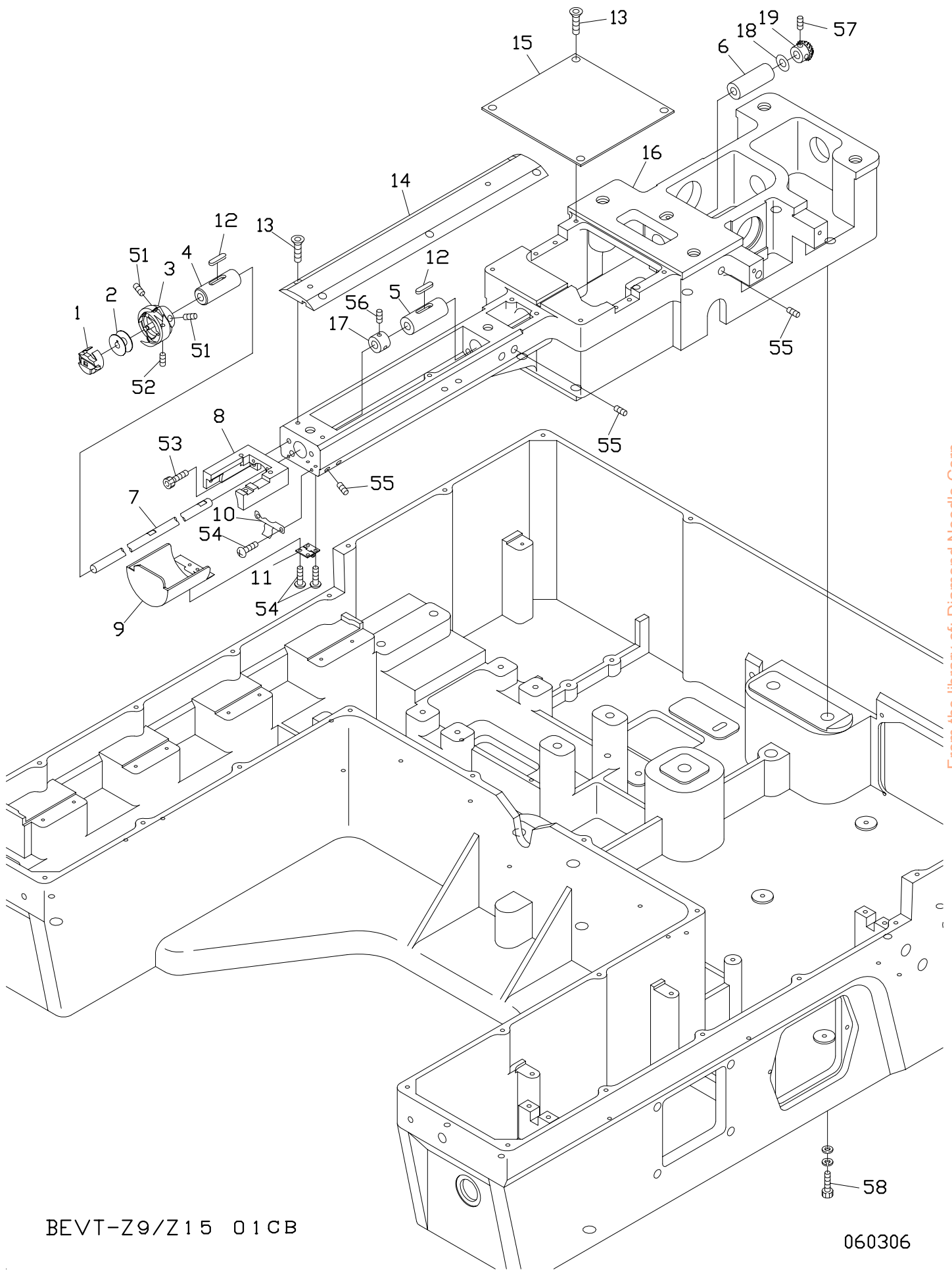
From the library of: Diamond Needle Corp

00 Table•Frame



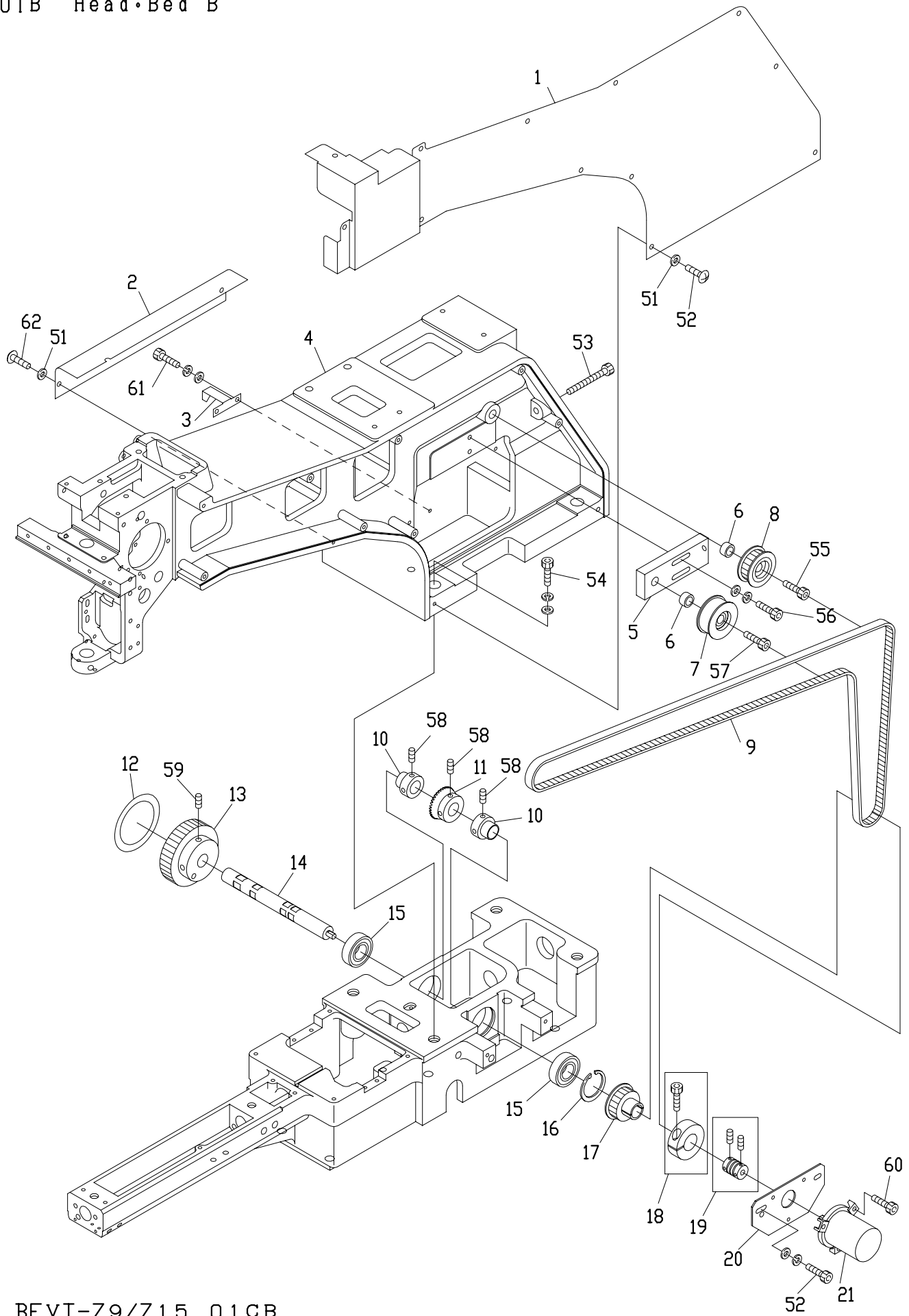
From the library of: Diamond Needle Corp

01A Head•Bed A



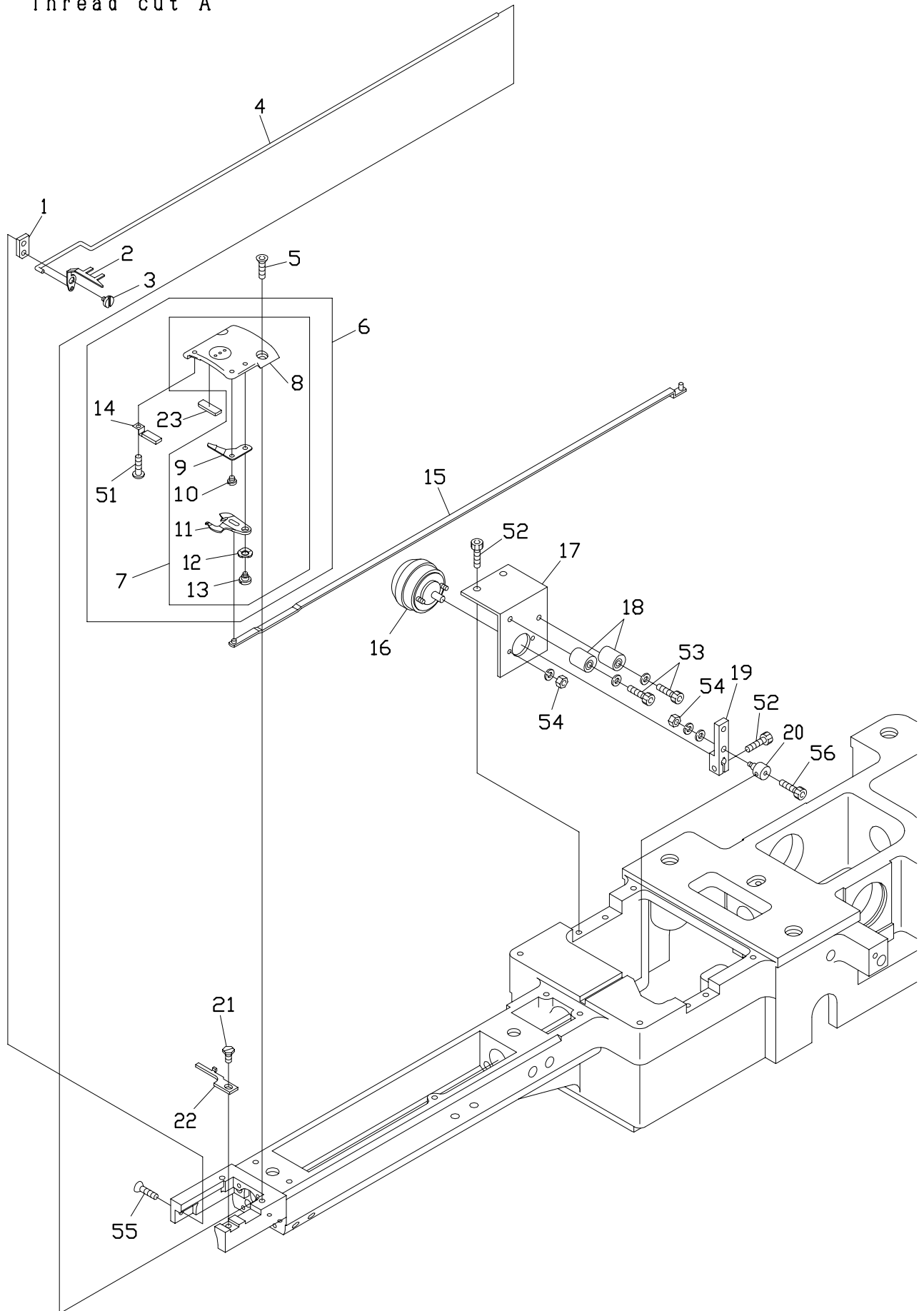
From the library of: Diamond Needle Corp

01B Head•Bed B



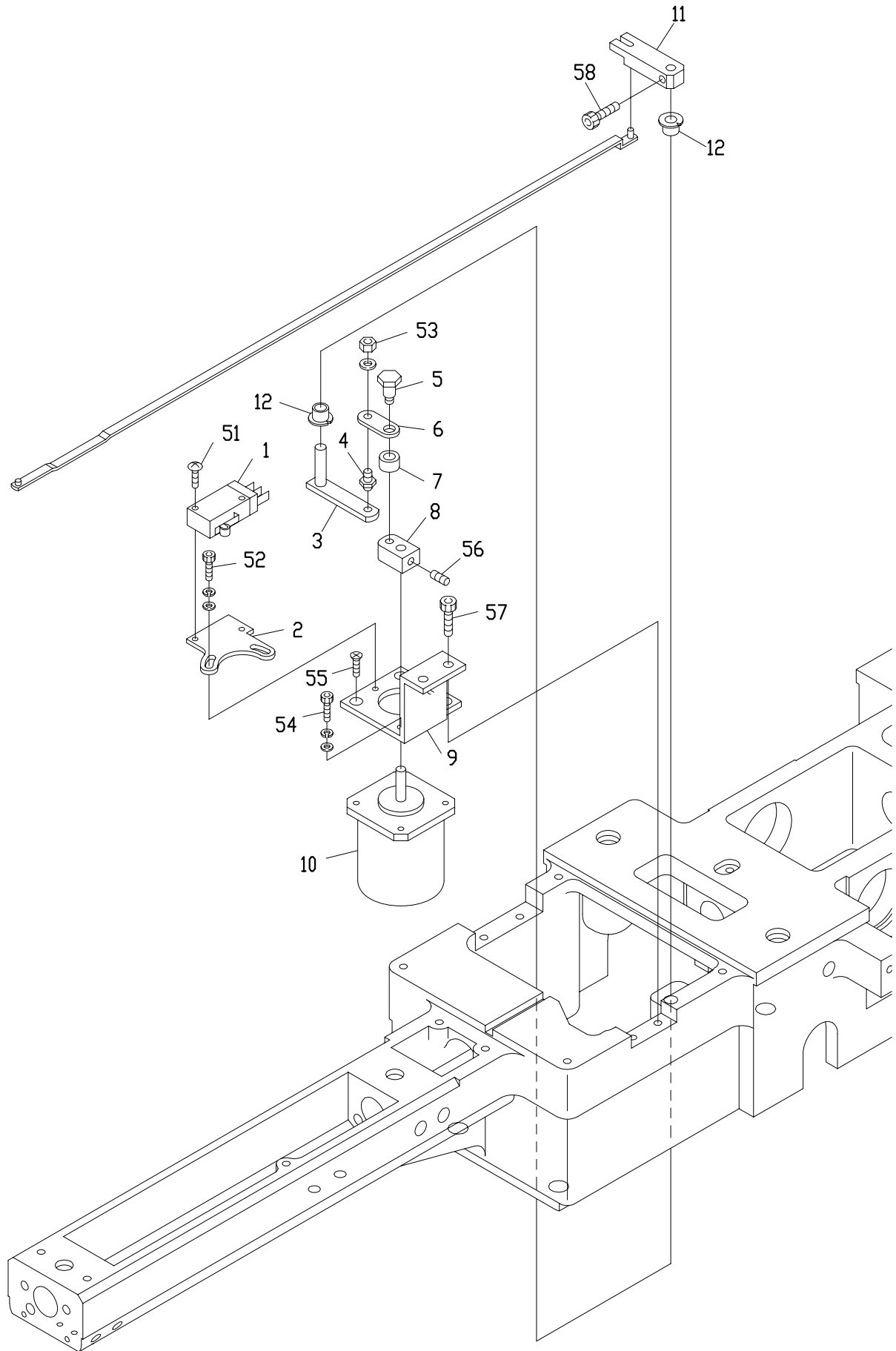
From the library of: Diamond Needle Corp

02A Thread cut A



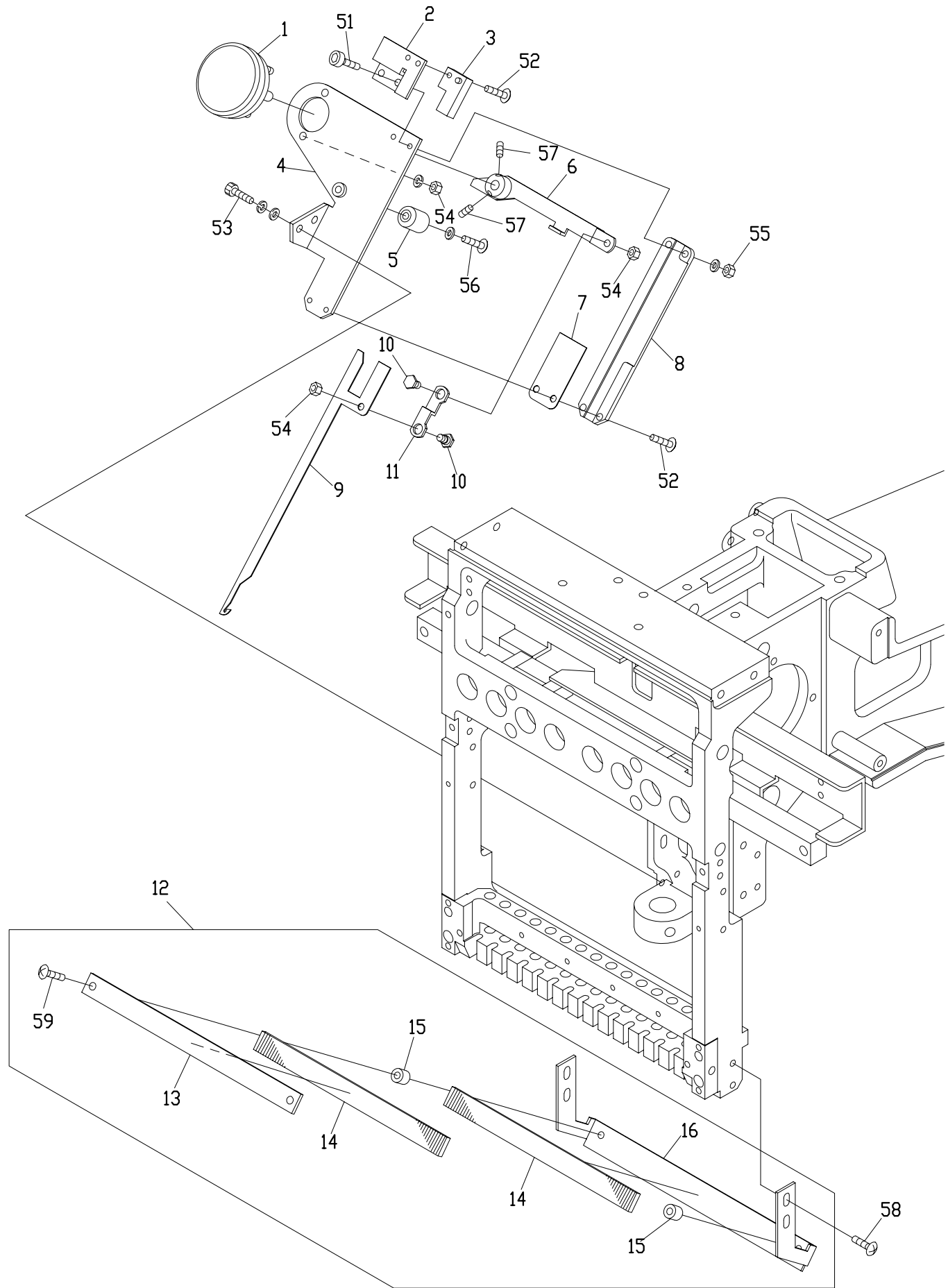
From the library of: Diamond Needle Corp

02B Thread cut B



From the library of: Diamond Needle Corp

02C Thread cut C

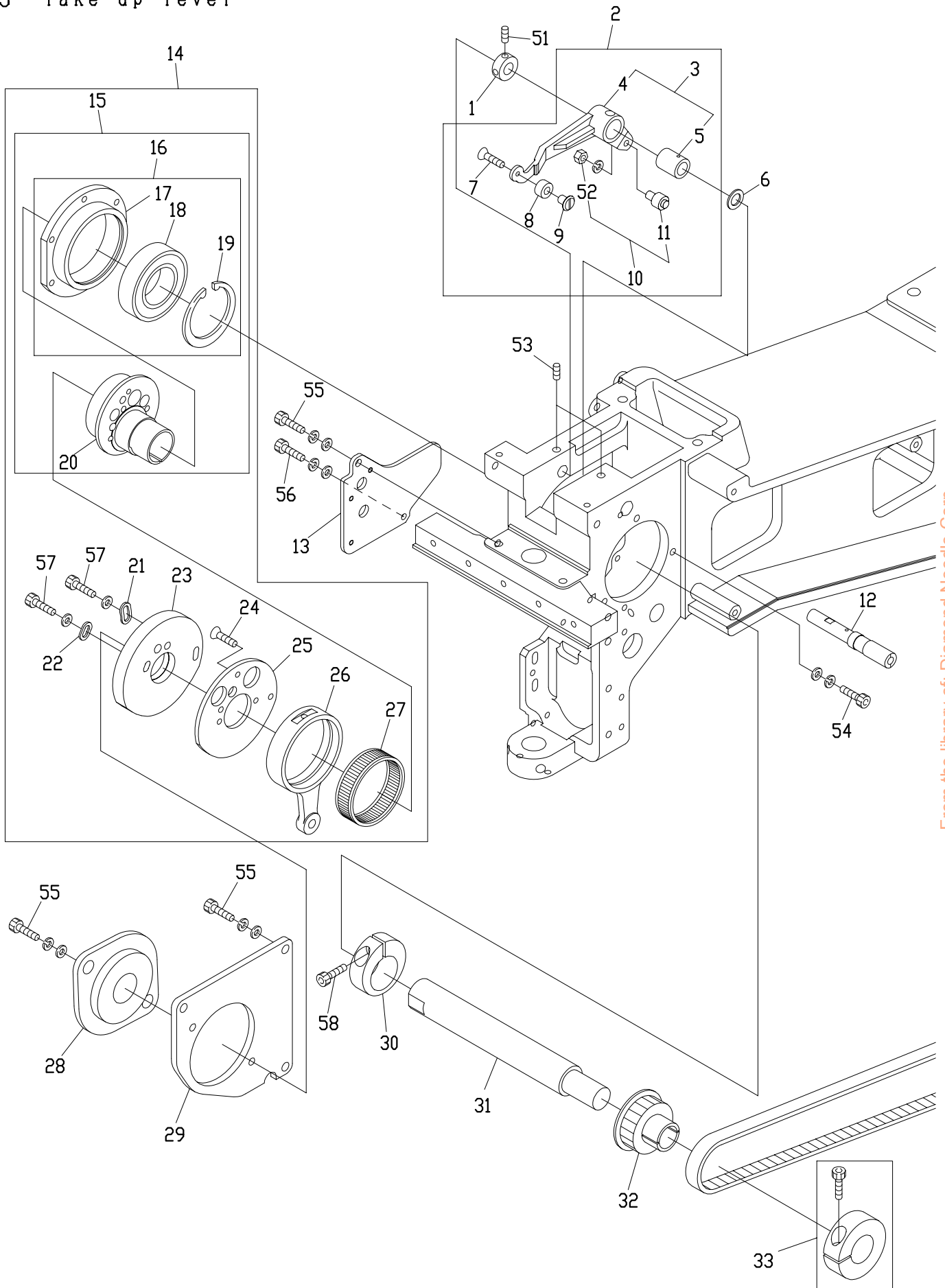


From the library of: Diamond Needle Corp

02C Thread Cut C

ITEM	LIST NO.	DESCRIPTION	Q'TY	NOTE
1	A 9 0 5 6 0 4 1	Rotary solenoid 4ER45-28x3x8x9 (24V)	1	
2	K L 2 7 0 2 6 0	Switch stay	1	
3	A 9 0 5 2 0 2 8	Proximity switch(RS-603)	1	
4	S G 2 7 0 0 8 1	Thread away base	1	
5	K N 2 7 2 4 0 1	Stopper eccentric	1	
6	S G 2 7 0 0 9 0	Thread away solenoid lever	1	
7	K L 2 7 0 4 5 0	Hook guide plate	1	
8	K L 2 7 0 0 9 1	Thread away hook guide	1	
9	K L 2 7 0 1 0 1	Thread away hook	1	
10	K L 2 7 0 1 3 1	Lever connecting pin	2	
11	K L 2 7 0 1 2 0	Connecting plate	1	
12	L A 2 7 0 1 5 0	Thread guard disk A'ssy(ZN-A)	1	ZN
	L A 2 7 0 1 6 0	Thread guard disk A'ssy(ZQ-A)	1	ZQ
13	M N 2 7 0 1 5 0	Thread guard disk bracket upper	1	Z3
	K X 2 7 0 0 5 0	Thread guard disk bracket upper	1	Z9
	S G 2 7 0 0 4 0	Thread guard disk bracket upper	1	Z12
	R D 2 7 0 0 4 0	Thread guard disk bracket upper	1	Z15
14	M N 2 7 0 1 6 0	Napped plate	2	Z3
	K X 2 7 0 3 7 0	Napped plate	2	Z9
	S G 2 7 0 1 0 0	Napped plate	2	Z12
	R D 2 7 0 0 2 0	Napped plate	2	Z15
15	K X 2 7 0 0 7 0	Thread guard disk spacer	2	
16	M N 2 7 0 1 4 0	Thread guard disk bracket(DT-Z3)	1	Z3
	L A 2 7 0 1 2 0	Thread guard disk bracket(ZN-A)	1	Z9
	S G 2 7 0 0 3 0	Thread guard disk bracket(Z12)	1	Z12
	L A 2 7 0 0 8 0	Thread guard disk bracket(ZQ-A)	1	Z15
51		Hex.socket bolt M3x10		
52		Truss screw M3x6		
53		Hex.socket bolt M4x12(With washers)		
54		Hex.nut M4(Ⅲ)		
55		Hex.nut M4(Ⅲ)(With washer)		
56		Truss screw M4x20		
57		Hex.socket set screw M4x5		
58		Truss screw M4x8		
59		Truss screw M4x12		

03 Take up level

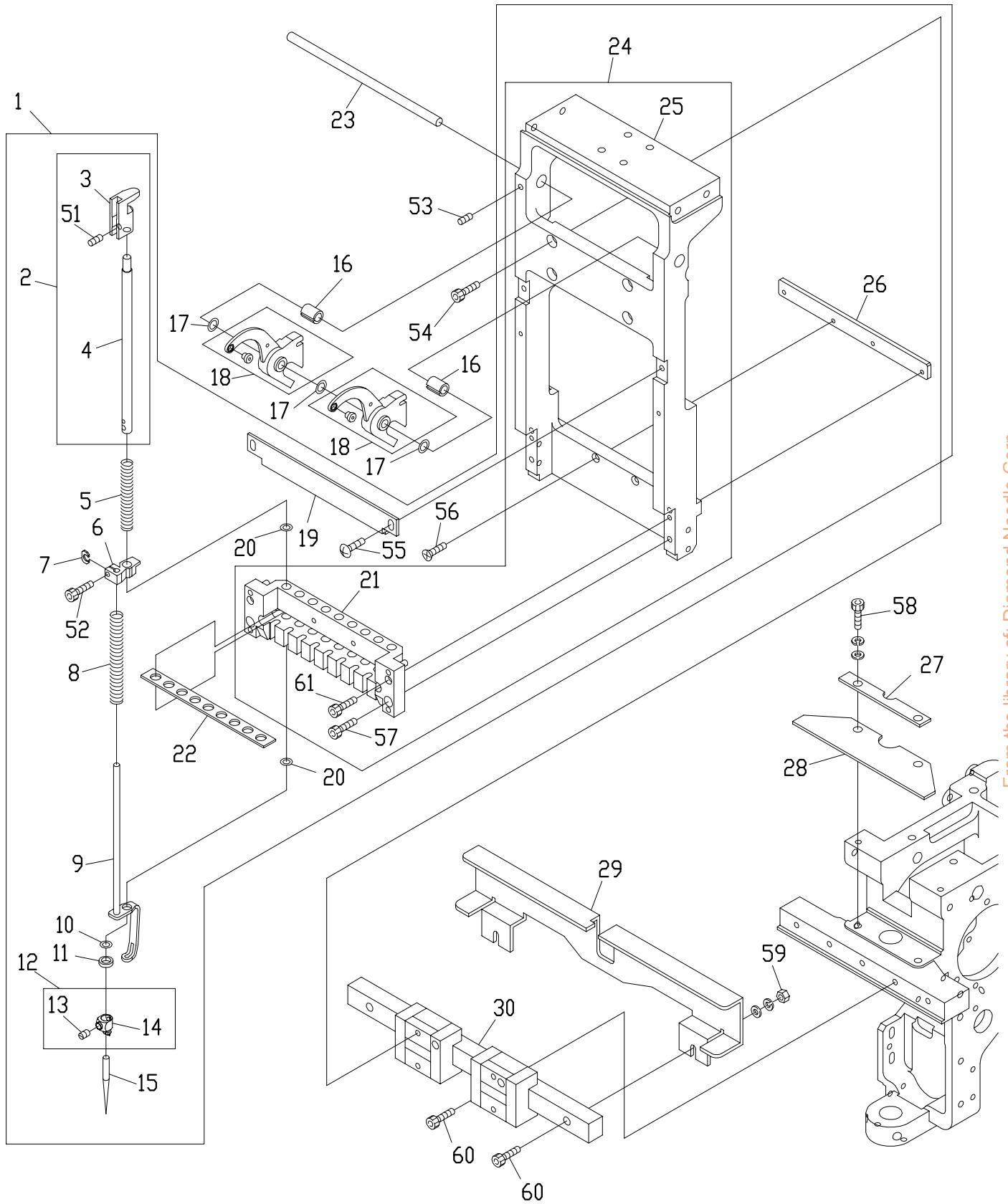


From the library of: Diamond Needle Corp

03 Take up lever

ITEM	LIST NO.	DESCRIPTION	Q'TY	NOTE
1	HB 2 3 0 8 0 0	Take up lever driving lever fixing pin set collar	1	
2	MK 2 3 0 1 3 0	Take up lever driving lever a'ssy	1	
3	RH 2 3 0 8 0 1	Take up lever driving lever(Metal)	1	
4	RH 2 3 0 3 1 1	Take up lever driving lever	1	
5	RH 2 3 0 8 1 0	Take up lever metal	1	
6	RH 2 3 0 6 1 0	Thrust washer	1	
7	HB 2 3 0 6 5 0	Flush screw(With adhesion)	1	
8	MK 2 3 0 1 2 0	Take up lever driving roller (ELITE pro)	1	
9	RD 2 3 0 1 3 0	Take up lever driving roller shaft	1	
10	KF 2 3 0 5 0 1	Take up lever roller a'ssy	1	
11	KF 2 3 0 6 8 0	Cam followers(KR×4×7.9×15-1P×1)	1	
12	RH 2 3 0 3 2 0	Take up lever driving lever fixing pin	1	
13	MK 3 1 0 0 4 1	Cap cover fixed plate	1	
14	RR 2 3 0 2 5 0	Take up lever ·Needle bar drive a'ssy	1	
15	RN 2 3 0 0 1 0	Needle bar driving cam a'ssy	1	
16	RN 2 3 0 0 3 0	Bearing case a'ssy	1	
17	RN 2 3 0 0 4 0	Bearing case	1	
18	A 9 0 1 0 0 7 3	Ball bearing(6005ZZ)	1	
19	A 9 0 1 2 4 2 1	C-ring for hole φ47	1	
20	RN 2 3 0 0 2 0	Needle bar driving cam (Eccentricity 9.2 φ20)	1	
21	HB 2 3 0 0 8 0	Washer for cam(2)	1	
22	HB 2 3 0 0 7 0	Washer for cam(1)	1	
23	RR 2 3 0 2 4 0	Take up lever cam H6S(Φ20)	1	
24	HB 2 3 0 6 2 0	Flush screw	3	
25	RH 2 3 0 3 0 0	Take up lever cam base	1	
26	RH 2 3 0 2 8 0	Needle bar crank rod	1	
27	RH 2 3 0 2 7 1	Needle bearing (HL-8E-K42x46x12.8x2)	1	
28	A 9 0 1 1 2 5 1	Frang unit(SBPFL 204)	1	
29	MK 3 1 0 0 5 0	Bearing plate	1	
30	RH 2 3 0 3 3 0	Needle bar driving cam set collar	1	
31	MK 2 2 0 0 1 0	Upper shaft	1	
32	MK 2 3 0 0 0 1	Needle shaft drive pulley(P22)	1	
33	HH 4 8 1 9 8 0	φ19 clamp	1	
51		Hex.socket set screw M4×4(With adhesion)		
52		Hex.nut M4(With spring washer)		
53		Hex.socket set screw M5×5		
54		Hex.socket bolt M4×15(With washers)		
55		Hex.socket bolt M5×15(With washers)		
56		Hex.socket bolt M4×12(With washers)		
57		Hex.socket bolt M4×8		
58		Hex.socket bolt M5×18		

04A-1 Needle bar A(Z9)

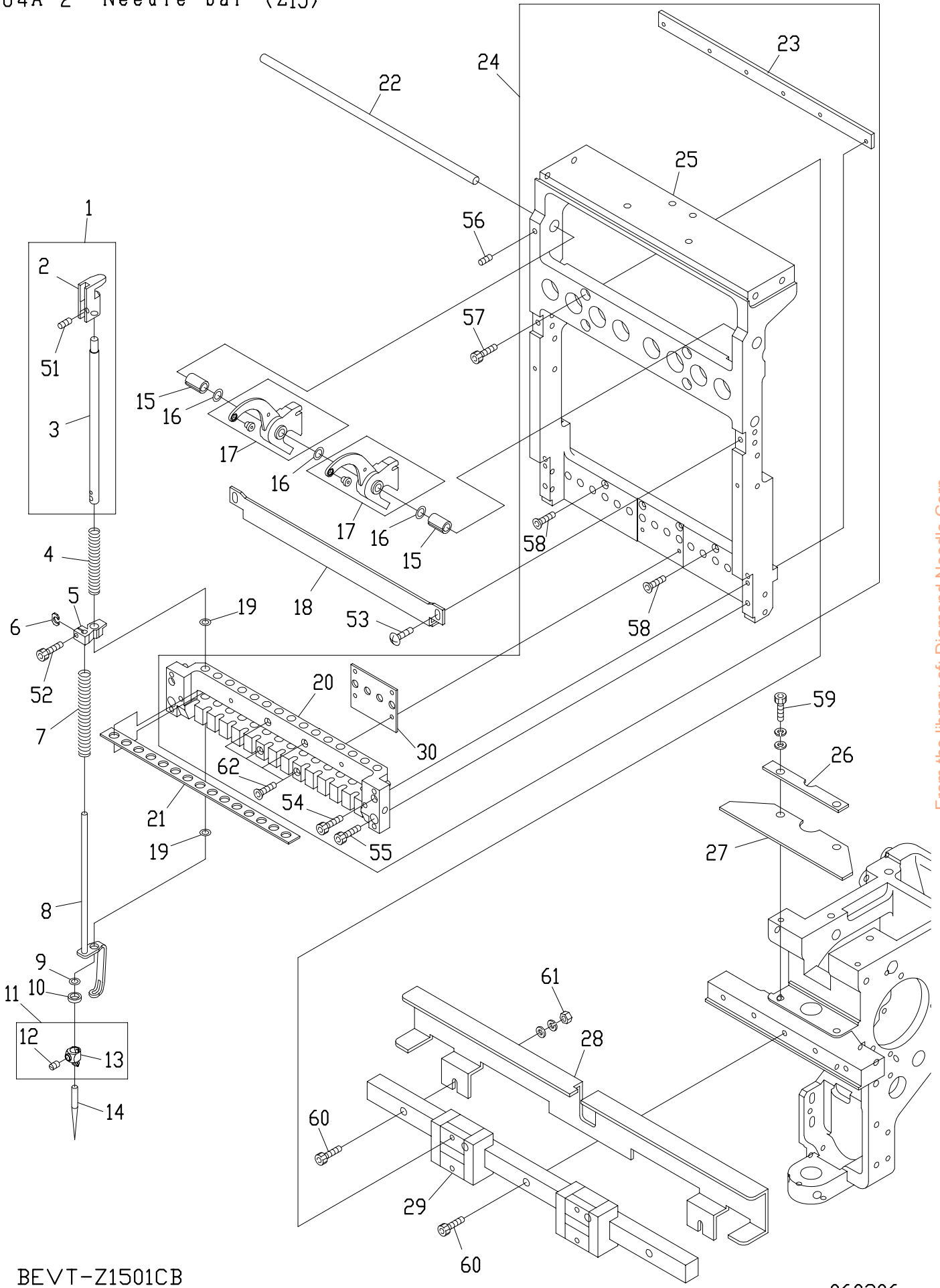


From the library of: Diamond Needle Corp

04A-1 Needle bar A (Z9)

ITEM	LIST NO.	DESCRIPTION	Q'TY	NOTE
1	/	/		
2	RD 2 3 0 4 8 0	Needle bar a'ssy	9	
3	RD 2 3 0 4 9 0	Needle bar guide	9	
4	RH 2 3 0 4 1 0	Needle bar	9	
5	HT 2 3 0 2 5 1	Needle bar spring(Upper,for thick type)	9	
6	HT 2 3 0 3 3 0	Cloth hold set clamp	9	
7	HT 2 3 0 2 6 3	Washer for set clamp	9	
8	SG 2 3 0 2 2 0	Needle bar spring lower	9	
9	RD 2 3 0 3 7 0	Cloth hold(ZQ4)	9	
10	KF 2 3 0 9 1 0	O-ring(AN6227-5)	9	
11	HT 2 3 0 1 2 0	Washer 2.4	9	
12	RH 2 3 0 4 4 0	Needle clamp(With hook,set screw)	9	
13	RH 2 3 0 4 6 0	Needle clamp screw	9	
14	RH 2 3 0 4 5 0	Needle clamp(With hook)	9	
15	FN070011Q1	Needle(DBXK5Q1-NY11)	9	
16	MK 2 3 0 0 9 0	Take up lever collar(14L)	2	
17	MK 2 3 0 0 5 0	Take up lever washer	10	
18	MK 2 3 0 0 4 0	Take up lever	9	
19	MH 2 3 0 1 1 0	Needle bar stocker(DT-ZN)	1	
20	A 9 0 1 4 1 6 7	O-ring SS065	1 8	
21	MH 2 3 0 0 3 1	Needle bar base(DT-ZN)	1	
22	MH 2 3 0 1 0 0	Needle bar felt(DT-ZN)	1	
23	MH 2 3 0 0 4 0	Take up lever shaft (DT-ZN)	1	
24	SW 2 3 0 0 0 0	Slide block set	1	
25	MH 2 3 0 0 2 2	Slide block(DT-ZN)	1	
26	KX 2 3 0 0 4 0	Bearing plate	1	
27	MK 2 3 0 0 2 0	Holder plate	1	
28	MK 2 3 0 0 1 0	LM rail holder plate	1	
29	MK 2 3 0 1 1 0	Take up lever stocker(DT-ZN)	1	
30	A 9 0 1 1 2 4 8	LM Guide (SSR15XV2UUE+220LYF)	1	
51		Hex.socket double point screw M4x4		
52		Hex.socket bolt M3x8		
53		Hex.socket set screw M4x8		
54		Hex.socket bolt M4x10		
55		Hex.socket button bolt M4x8		
56		Hex.socket flush screw M3x14		
57		Hex.socket bolt M4x12		
58		Hex.socket bolt M5x15(With washers)		
59		Hex.nut M4		
60		Hex.socket bolt M4x15		
61		Hex.socket bolt M3x35		

04A-2 Needle bar (Z15)

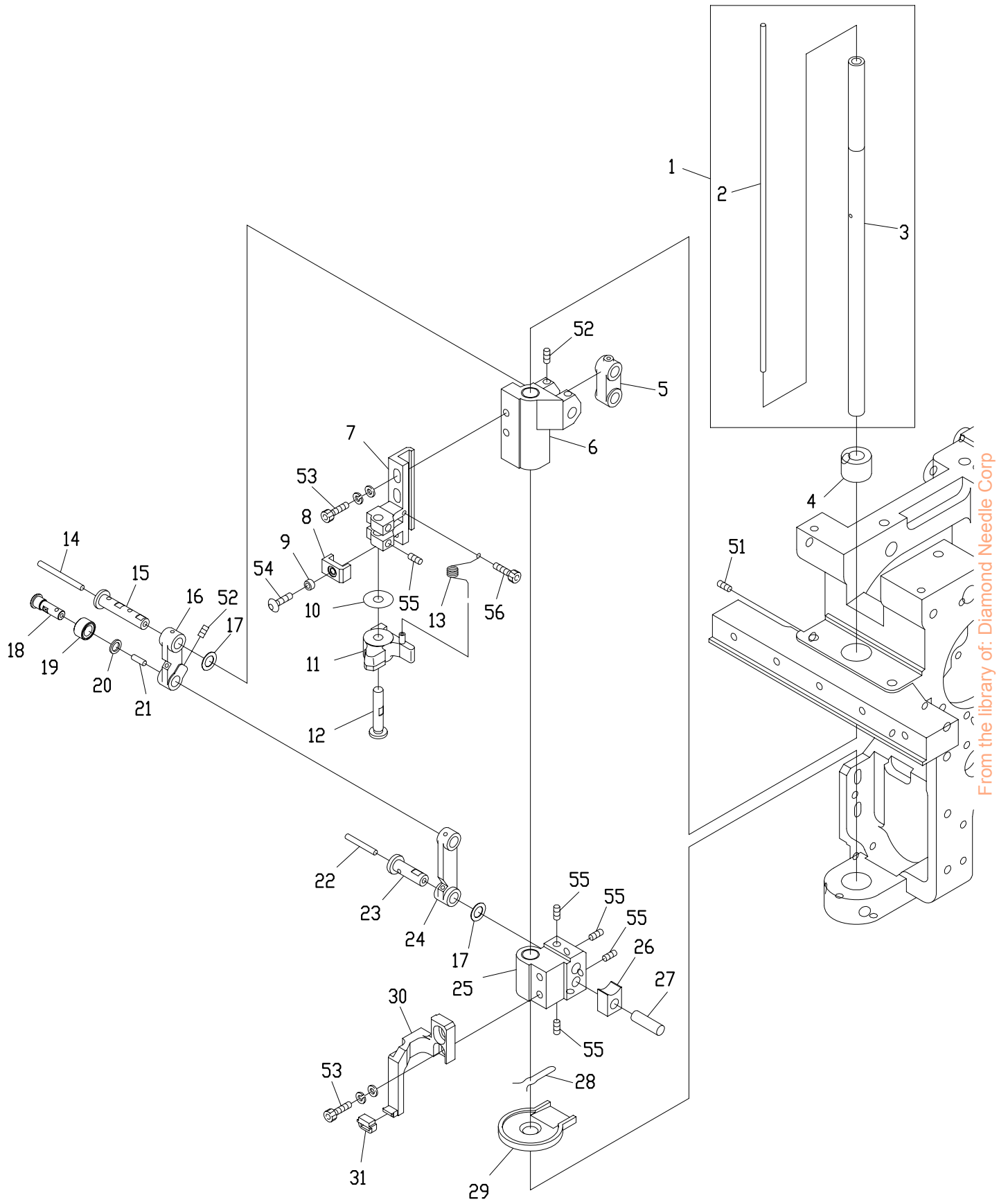


From the library of: Diamond Needle Corp

04A-2 Needle bar A (Z15)

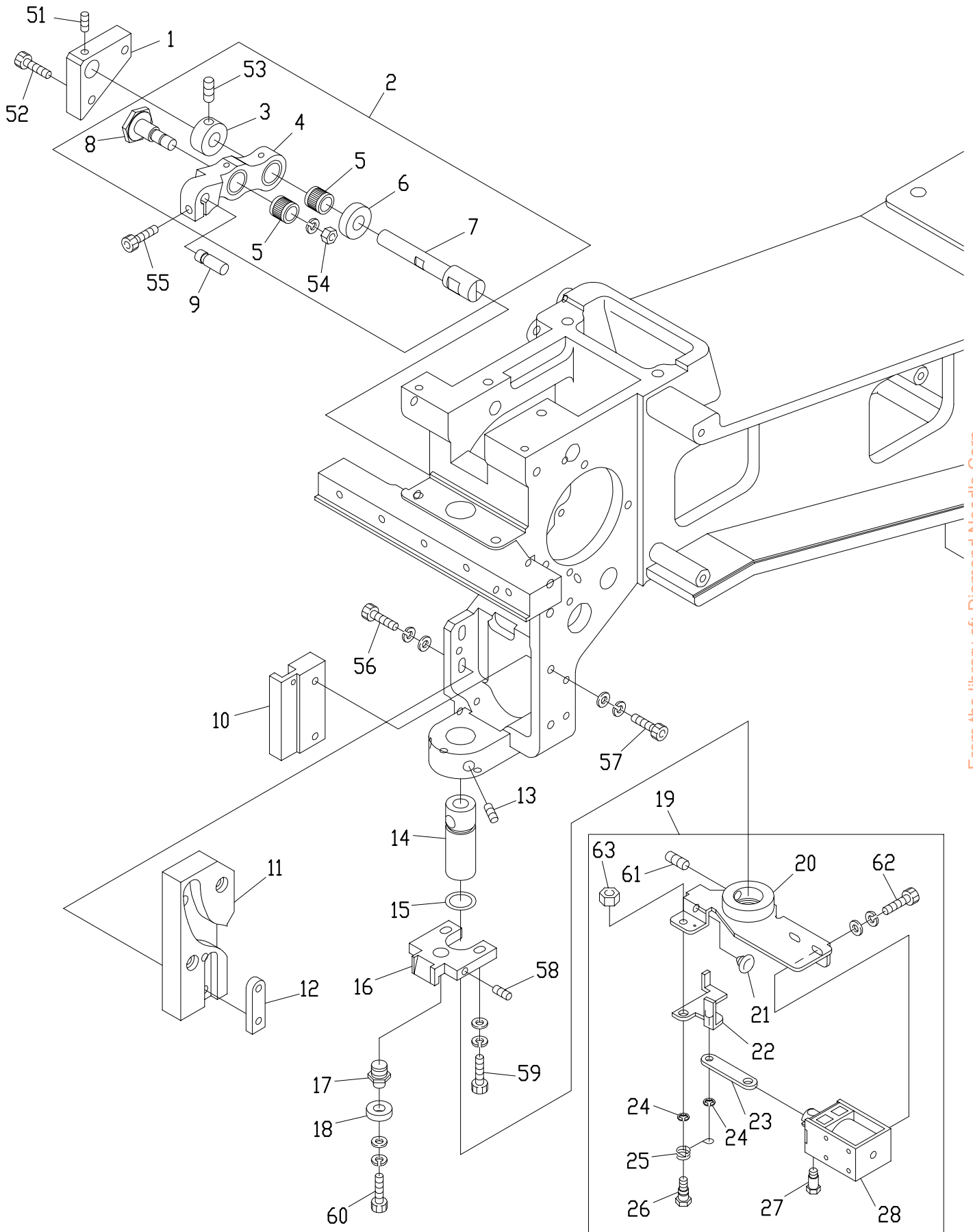
ITEM	LIST NO.	DESCRIPTION	Q'TY	NOTE
1	RD 2 3 0 4 8 0	Needle bar a'ssy	1 5	
2	RD 2 3 0 4 9 0	Needle bar guide	1 5	
3	RH 2 3 0 4 1 0	Needle bar	1 5	
4	HT 2 3 0 2 5 1	Needle bar spring(Upper)	1 5	
5	HT 2 3 0 3 3 0	Cloth hold set clamp	1 5	
6	HT 2 3 0 2 6 3	Washer for set clamp	1 5	
7	SG 2 3 0 2 2 0	Needle bar spring lower	1 5	
8	RD 2 3 0 3 7 0	Cloth hold(ZQ4)	1 5	
9	KF 2 3 0 9 1 0	O-ring(AN6227-5)	1 5	
10	HT 2 3 0 1 2 0	Washer 2.4	1 5	
11	RH 2 3 0 4 4 0	Needle clamp(With hook,set screw)	1 5	
12	RH 2 3 0 4 6 0	Needle clamp screw	1 5	
13	RH 2 3 0 4 5 0	Needle clamp(With hook)	1 5	
14	FN070011Q1	Needle(DBXK5Q1-NY11)	1 5	
15	MK 2 3 0 0 9 0	Take up lever collar(14L)	2	
16	MK 2 3 0 0 5 0	Take up lever washer	1 6	
17	MK 2 3 0 0 4 0	Take up lever	1 5	
18	SL 2 3 0 0 4 0	Needle bar stocker	1	
19	A 9 0 1 4 1 6 7	O-ring SS065	3 0	
20	SL 2 3 0 0 3 1	Needle bar base	1	
21	SL 2 3 0 0 8 0	Needle bar felt	1	
22	SL 2 3 0 0 7 0	Take up lever shaft(ZQ6)	1	
23	RD 2 3 0 0 6 0	Bearing plate	1	
24	SL 2 3 0 0 0 1	Slide block set	1	
25	SL 2 3 0 0 2 1	Slide block	1	
26	MK 2 3 0 0 2 0	Holder plate	1	
27	MK 2 3 0 0 1 0	LM rail holder plate	1	
28	MK 2 3 0 1 0 0	Take up lever stocker	1	
29	SL 2 3 0 1 4 0	LMカ ^レ 1 ^レ (ZQ6)SSR15V2LL+311L-1	1	
30	SL 2 3 0 0 9 0	Slide block sim	1	
51		Hex.socket double point screw M4x4		
52		Hex.socket bolt M3x8		
53		Hex.socket button bolt M4x8		
54		Hex.socket bolt M3x35		
55		Hex.socket bolt M4x12		
56		Hex.socket set screw M4x8		
57		Hex.socket bolt M4x10		
58		Hex.socket flush bolt M3x14		
59		Hex.socket bolt M5x15(With washers)		
60		Hex.socket bolt M4x15		
61		Hex.nut M4		
62		Hex.socket bolt M3x25		

04B Needle bar B



From the library of: Diamond Needle Corp

04C Needle bar C

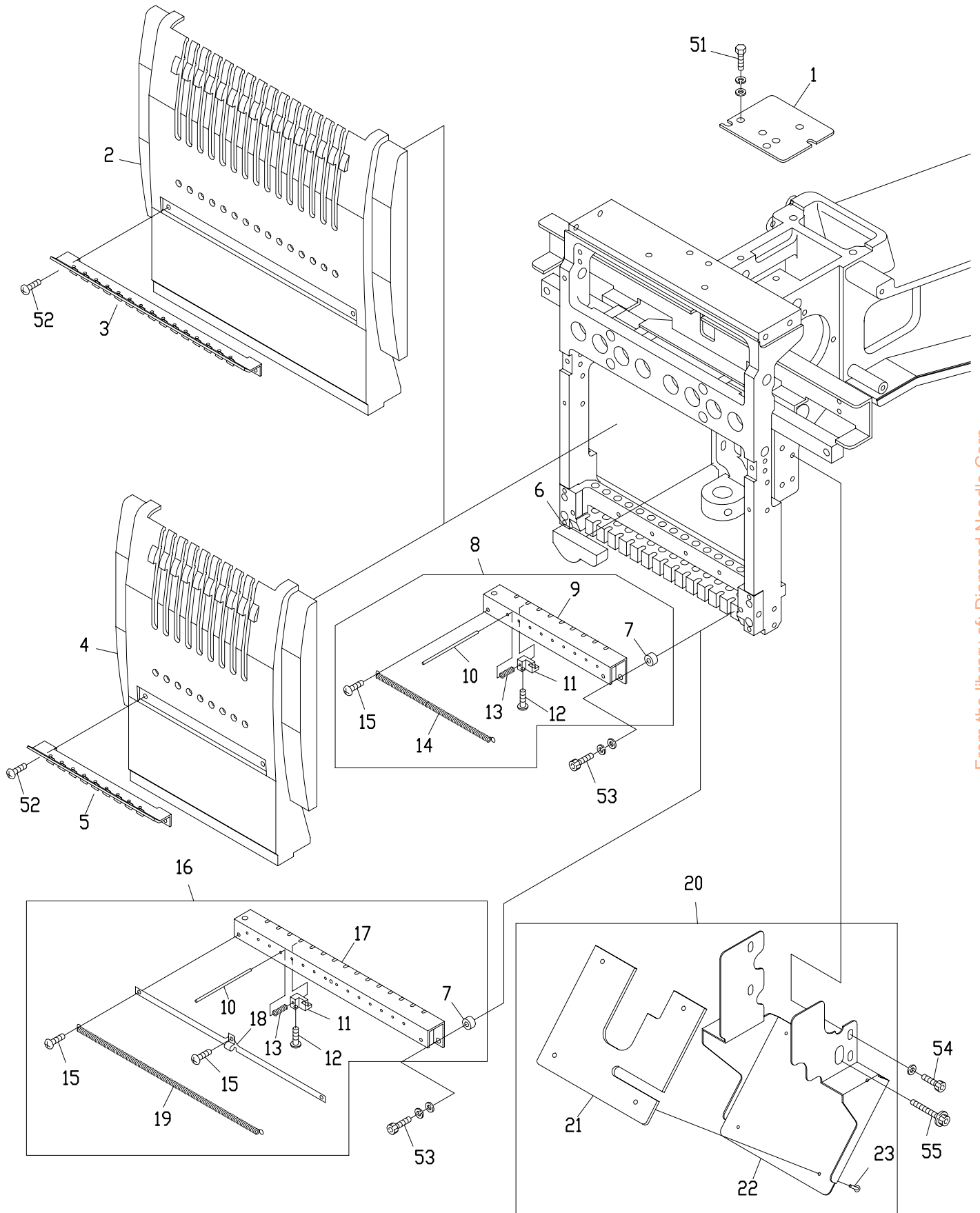


From the library of: Diamond Needle Corp

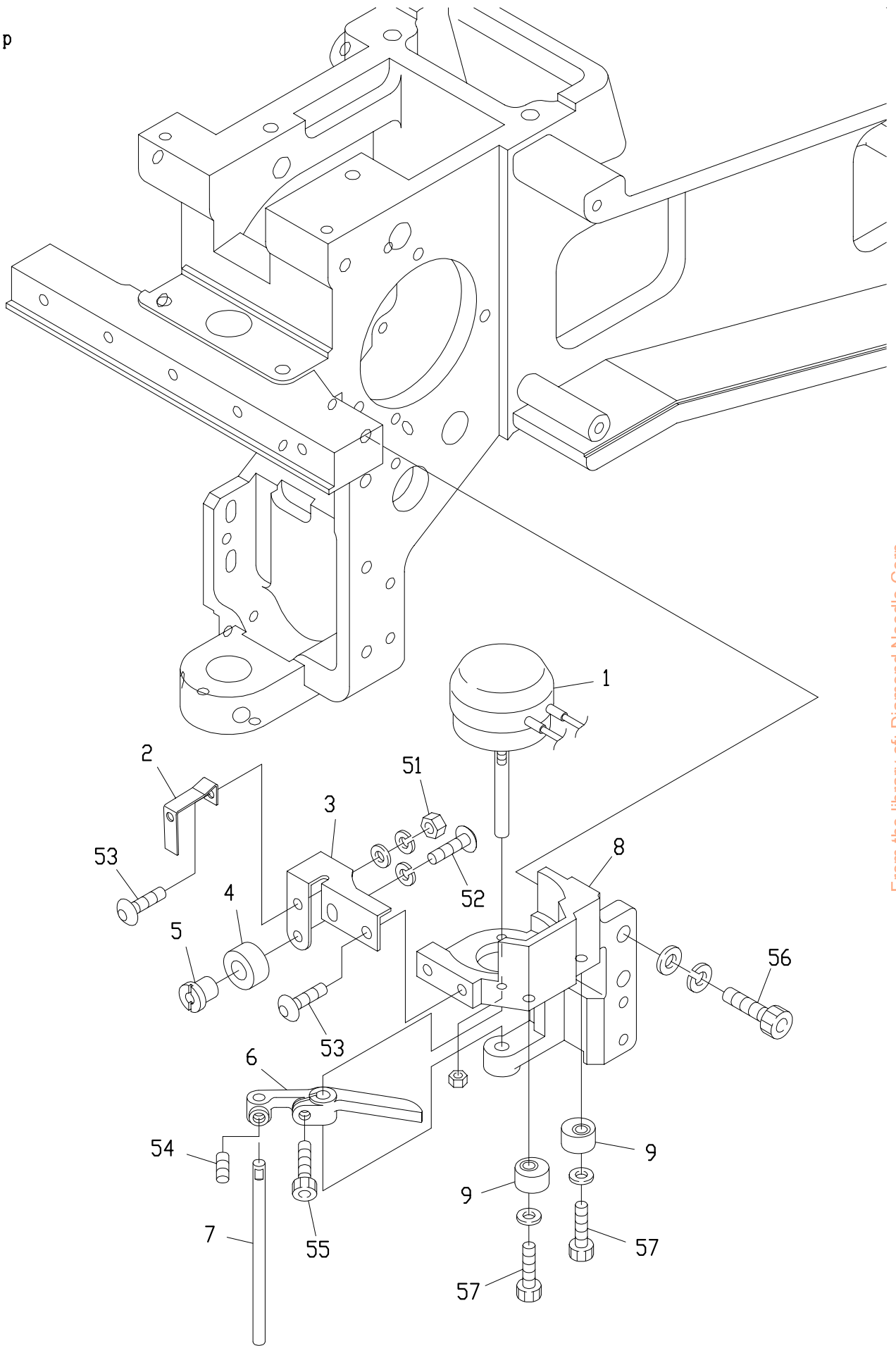
04C Needle bar C

ITEM	LIST NO.	DESCRIPTION	Q'TY	NOTE
1	MH 2 3 0 1 5 0	Lever pin block(515 white)	1	
2	RR 2 3 0 0 9 0	Needle bar driving lever set(P25.65)	1	
3	HB 2 3 0 2 7 1	Needle bar driving lever fixing pin set collar	1	
4	RR 2 3 0 0 8 0	Needle bar driving lever(P25.65)	1	
5	HB 2 3 0 3 6 1	Needle roller with retainer(KV8×11×10SV2)	2	
6	HB 2 3 0 2 8 1	Needle bar driving lever fixing pin collar	1	
7	HT 2 3 0 4 1 0	Needle bar driving lever fixing pin	1	
8	HB 2 3 0 2 6 1	Needle bar driving lever connecting pin	1	
9	HB 2 3 0 2 2 0	Needle bar driving lever pin(B)	1	
10	HT 2 3 0 4 2 0	Guide plate	1	
11	MK 2 3 0 0 7 1	K2 cam(φ12)	1	
12	MK 2 3 0 0 8 0	Cam tap plate	1	
13	A 9 0 1 2 0 5 3	Hex.socket set screw(With steel ball) M6×0.7×8	2	
14	LA 2 3 0 0 8 0	Slide shaft bush(Lower)	1	
15	A 9 0 1 9 0 3 7	O-ring(Bush lower S12.5 NOK)	1	
16	LA 2 3 0 1 4 0	Bearing guide	1	
17	SG 2 3 0 3 0 0	Bearing pin	1	
18	A 9 0 1 0 0 6 5	Ball bearing 686zz	1	
19	MM 2 7 0 0 0 0	Thread support a'ssy(24V) DTHE-ZQ	1	
20	SG 2 7 0 0 5 0	Thread support base	1	
21	A 9 0 1 4 1 6 6	Plug cushion rubber TM-96-6	1	
22	SG 2 7 0 0 6 0	Thread support lever	1	
23	SG 2 7 0 0 7 0	Thread support link	1	
24	A 9 0 1 2 1 2 7	E-ring(φ3)	2	
25	SG 2 7 0 1 2 0	Thread support return spring	1	
26	SG 2 7 0 1 1 0	Thread support lever pin screw	1	
27	KC 2 7 0 1 0 1	Solenoid pin	1	
28	A 9 0 5 6 0 4 2	Keep solenoid(24V) TDS-K10SL-368	1	
51		Hex.socket set screw M4×4(With nylon)		
52		Hex.socket bolt M4×12(With washers)		
53		Hex.socket set screw M5×5		
54		Hex.nut M6(With spring washer)		
55		Hex.socket bolt M4×14(With adhesive)		
56		Hex.socket bolt M4×15		
57		Hex.socket bolt M4×18(With washers)		
58		Hex.socket set screw(Dog point) M4×12		
59		Hex.socket bolt M4×15(With washers)		
60		Hex.socket bolt M4×6(With washers)		
61		Hex.socket set screw M5×8		
62		Hex.socket bolt M3×6(With washers)		
63		Hex.nut M4		

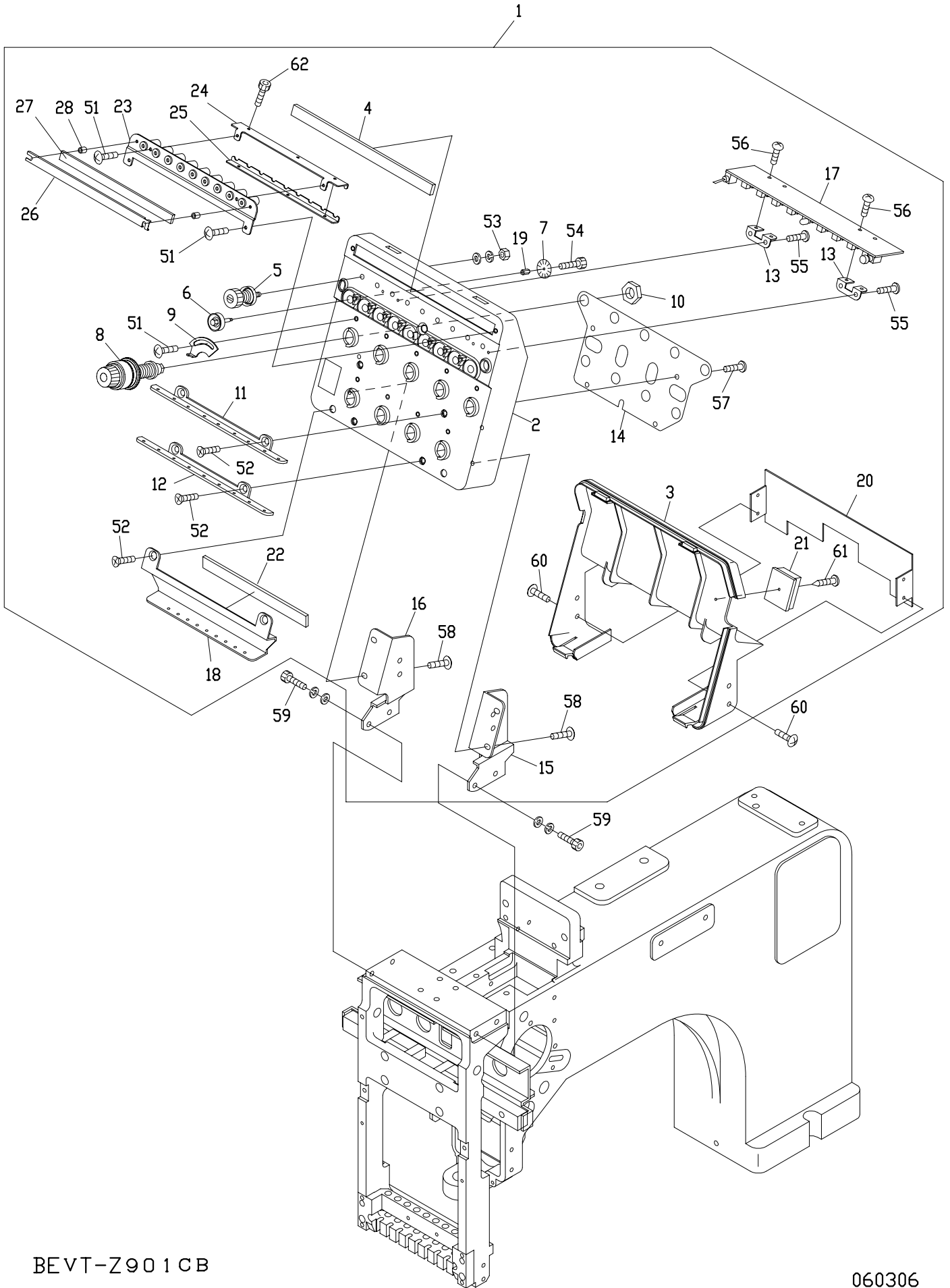
04D Needle bar D



From the library of: Diamond Needle Corp



06-1 Thread guide(Z9)

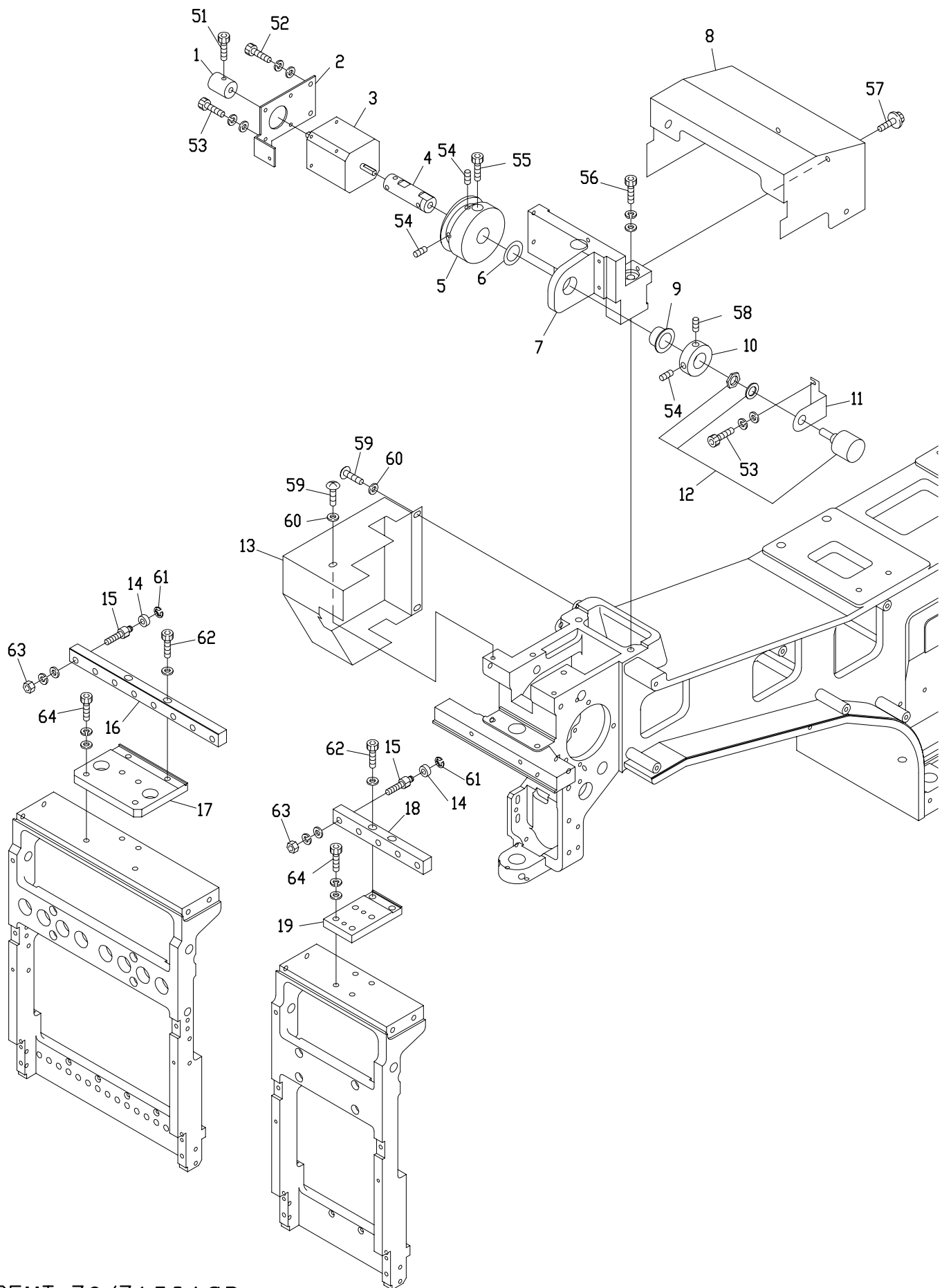


From the library of: Diamond Needle Corp

06-1 Thread Guide (Z9)

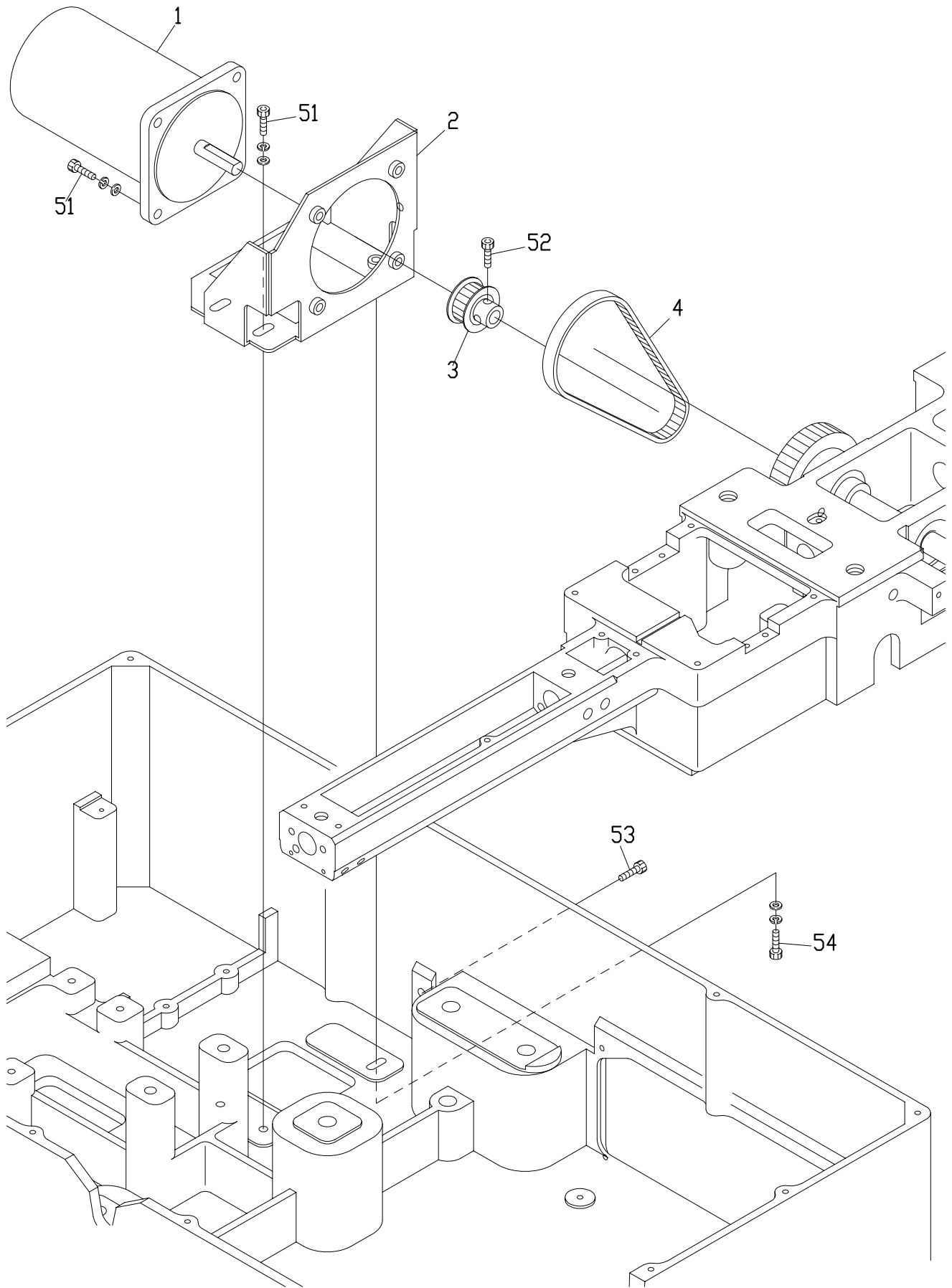
ITEM	LIST NO.	DESCRIPTION	Q'TY	NOTE
1	MP 2 4 0 0 1 0	Tension base A'ssy(VT-Z9 PRO)	1	
2	MP 2 4 0 0 3 0	Tension base case a'ssy(DT-Z9)	1	
3	MP 2 4 0 0 4 0	Tension base cover(DS-Z9)	1	
4	RR 2 4 0 2 8 0	Felt(DSH-YN)	1	
5	RR 2 4 0 3 0 0	Tension a'ssy(DS)	9	
6	HT 2 4 0 2 9 0	Tension wheel a'ssy	9	
7	HT 2 4 0 1 0 1	Lower thread detection sensor disk(YN)	9	
8	RD 2 4 0 1 5 4	Dial tension a'ssy(DS)	9	
9	RR 2 4 0 5 1 0	Thread spring adjusting plate	9	
10	HT 2 4 0 1 8 0	SM-nut	9	
11	RR 2 4 0 3 1 0	Thread guide plate upper(DSH-YN)	1	
12	RR 2 4 0 3 2 0	Thread guide plate lower(DSH-YN)	1	
13	RR 2 4 0 3 3 0	Switch board fixed base	2	
14	RR 2 4 0 3 4 0	Tension earth plate(DSH-YN)	1	
15	MH 2 4 0 0 1 1	Tension base bracket · R(DS-ZN)	1	
16	MH 2 4 0 0 2 1	Tension base bracket · L(DS-ZN)	1	
17	EBY 0 2 5 8 0	8590 · switch board with thread detection	1	
18	MH 2 4 0 0 3 0	Second thread guide plate lower(DT-ZN)	1	
19	KN 5 4 0 5 1 0	Tension wheel nut	9	
20	SF 2 4 0 0 6 1	Tension base cover A(DS-ZN)	1	
21	A 9 0 6 8 0 3 2	FCW clamp(FCW-26)	1	
22	MH 2 4 0 0 4 1	Sponge rubber(DT-ZN)	1	
23	MH 2 4 0 0 5 1	Thread guide plate	1	
24	MK 2 4 0 0 3 1	Tube control (top)	1	
25	MK 2 4 0 0 4 1	Tube control (bottom)	1	
26	MK 2 4 0 0 5 0	Felt frame (DT-ZN)	1	
27	MK 2 4 0 0 6 0	Felt (DT-ZN)	1	
28	A 9 0 1 2 4 4 6	Spacer (3x7.5)	2	
51		Truss screw M3x5		
52		Flush screw M4x8		
53		Hex.nut SM11/64(With washers)		
54		Hex.socket bolt M2x3		
55		Pan head tapping screw B tight M3x8		
56		Pan screw M3x4		
57		Pan screw M4x6		
58		Truss screw M4x10		
59		Hex.socket bolt M5x15(With washers)		
60		Truss screw M3x8		
61		Pan head tapping screw B tight M3x5		
62		Hex.socket bolt M3x15		

07 Color change



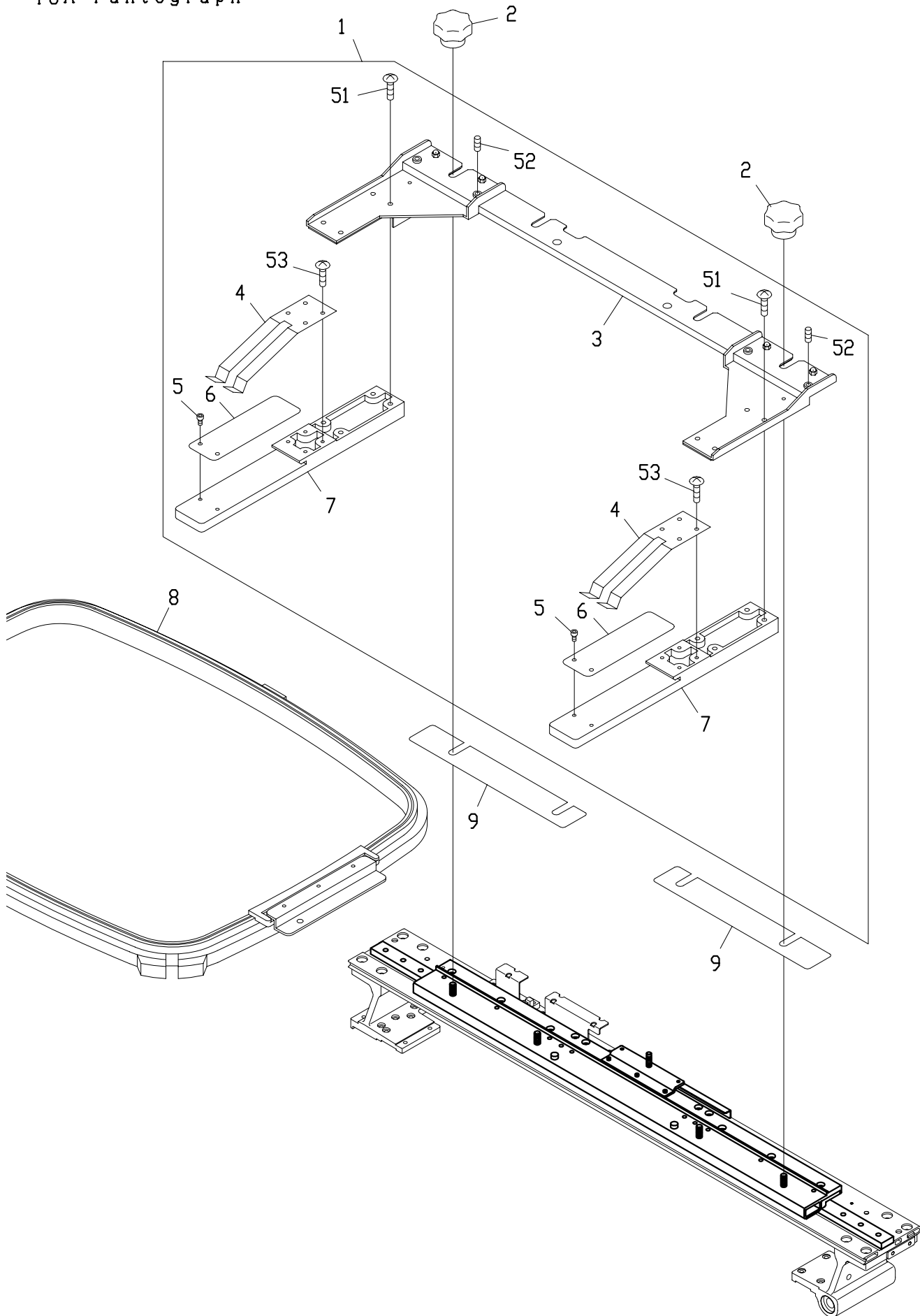
From the library of: Diamond Needle Corp

08 Drive



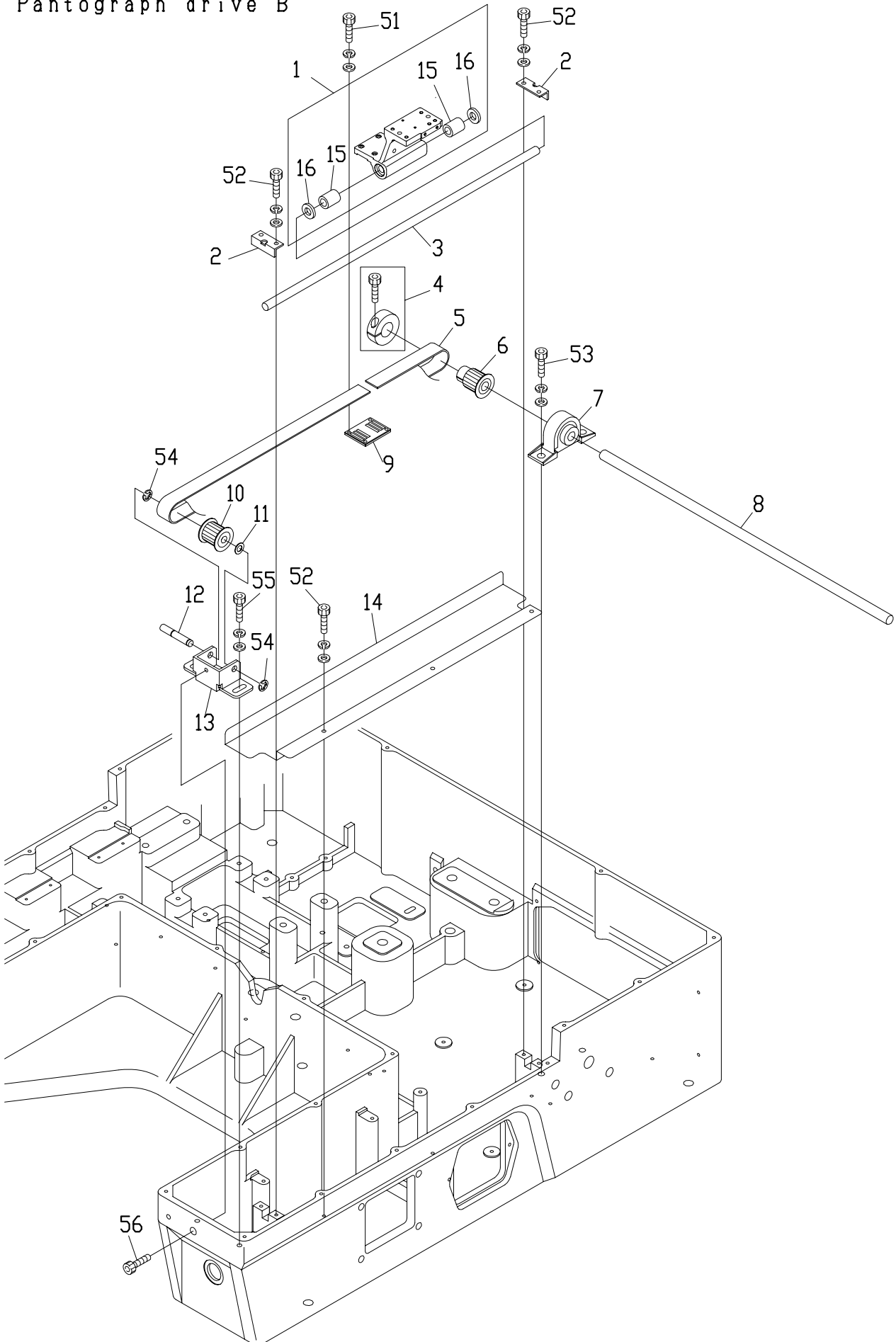
From the library of: Diamond Needle Corp

10A Pantograph



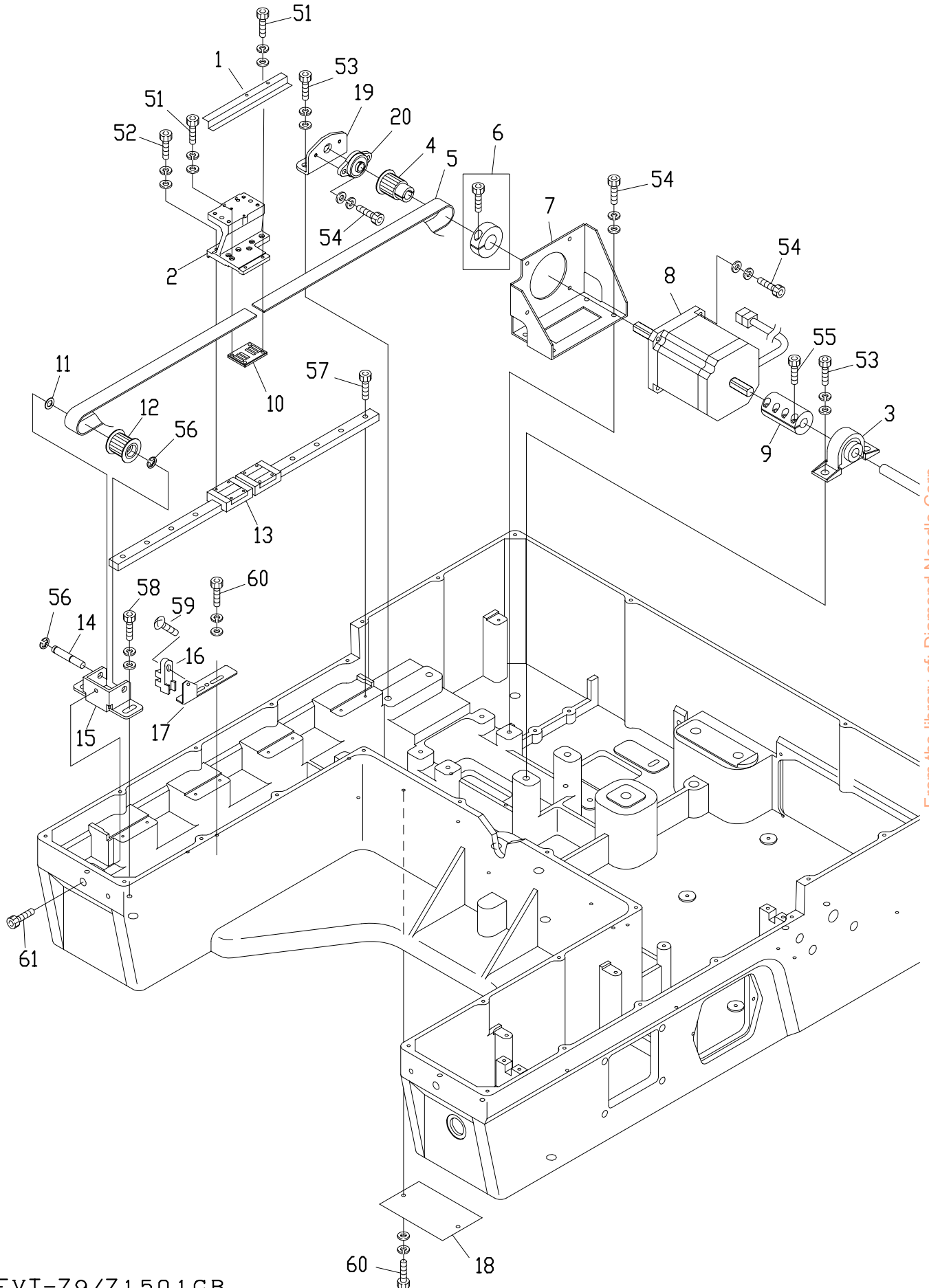
From the library of: Diamond Needle Corp

10B Pantograph drive B



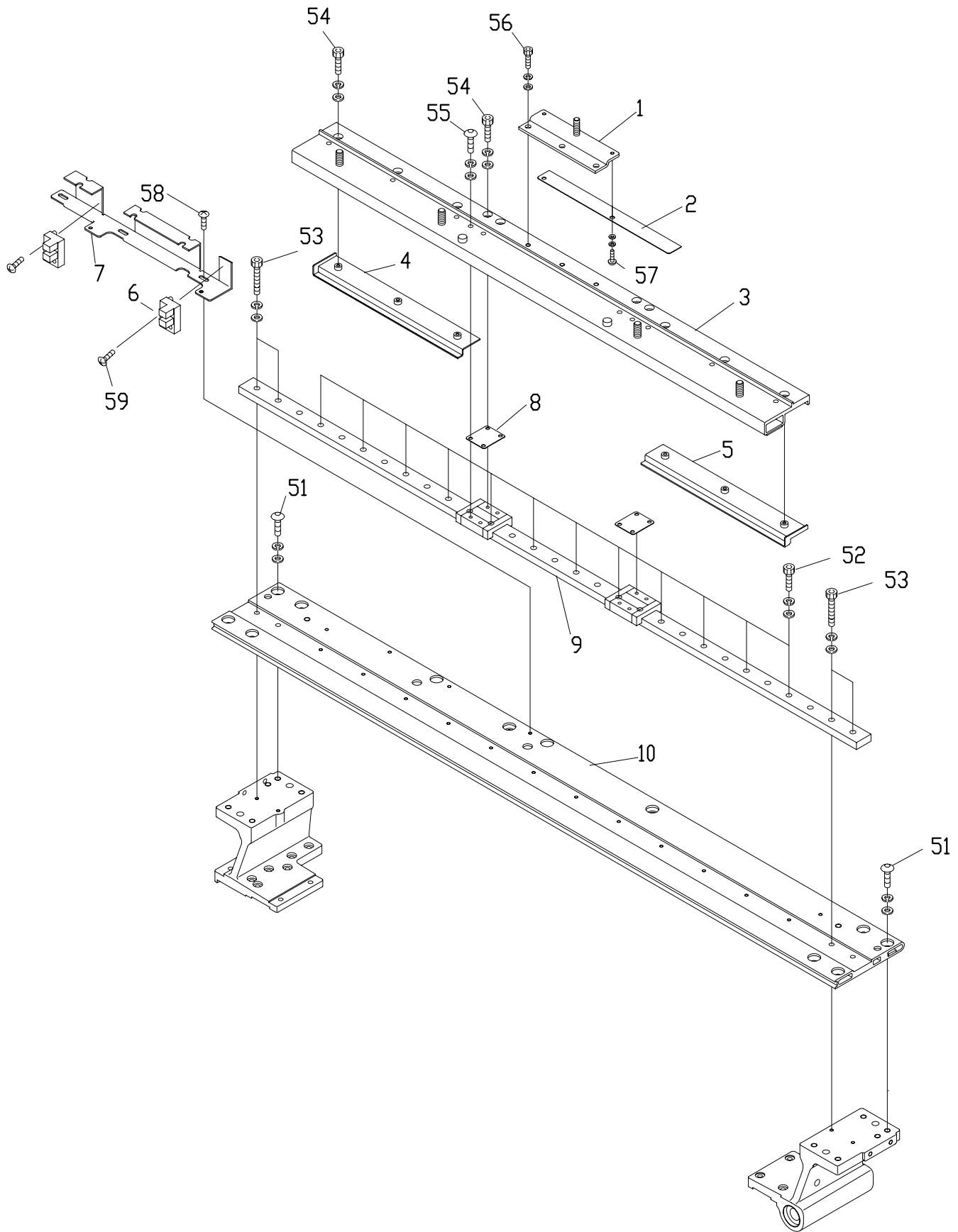
From the library of: Diamond Needle Corp

10C Pantograph drive C



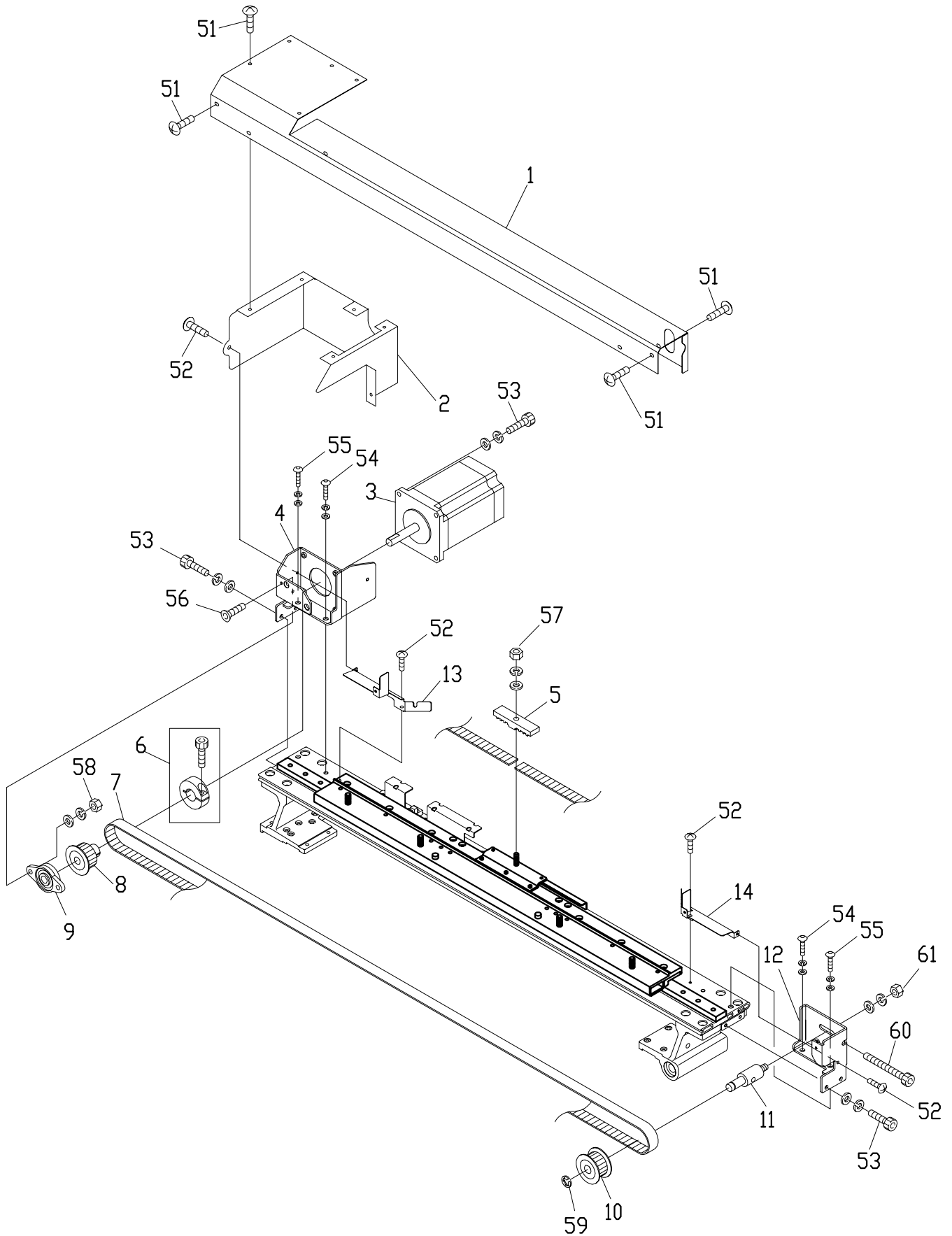
From the library of: Diamond Needle Corp

10D Pantograph drive D



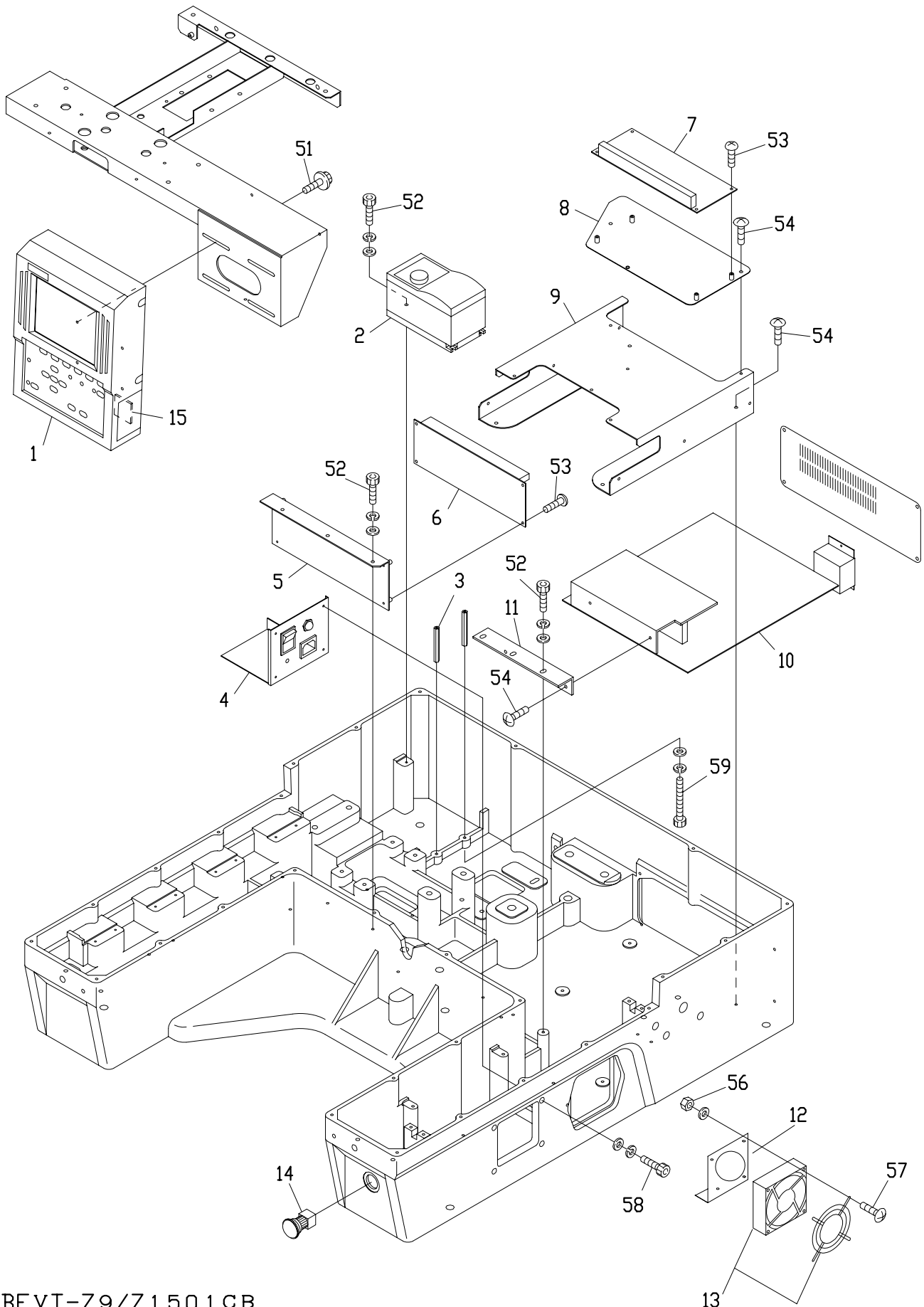
From the library of: Diamond Needle Corp

10E Pantograph drive E

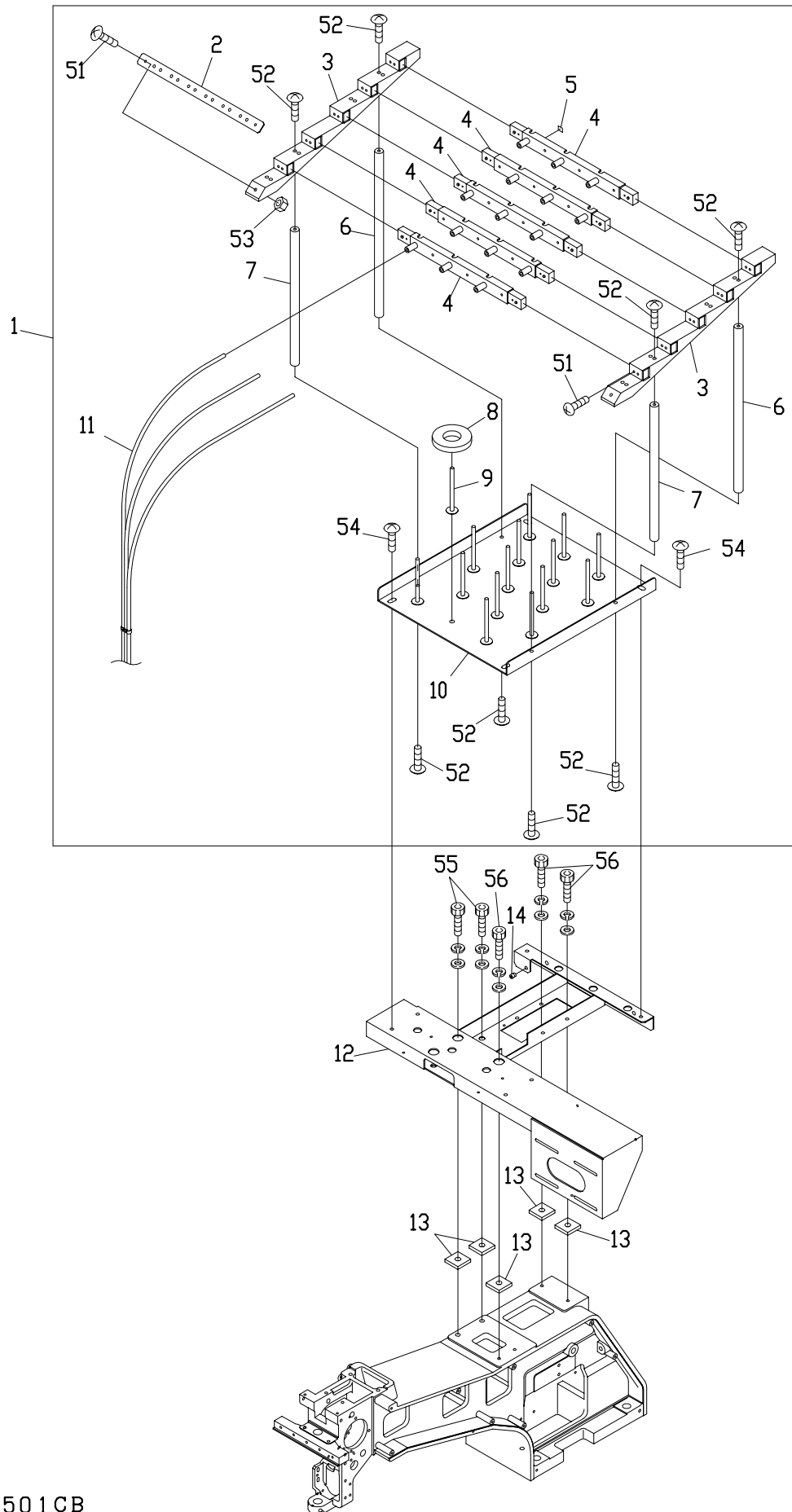


From the library of: Diamond Needle Corp

11 Control



12 Accessories (Z9/Z15)



From the library of: Diamond Needle Corp

I N D E X

LIST No.	SECTION №	ITEM	LIST No.	SECTION №	ITEM
A 9 0 1 0 0 0 4	0 1 B	15	A 9 0 5 2 0 2 8	0 2 C	3
A 9 0 1 0 0 6 3	0 7	14	A 9 0 5 2 0 7 8	0 2 B	1
A 9 0 1 0 0 6 5	0 4 C	18	A 9 0 5 4 0 5 4	1 1	15
A 9 0 1 0 0 7 3	0 3	18	A 9 0 5 6 0 3 9	0 5	1
A 9 0 1 0 1 0 9	0 7	6	A 9 0 5 6 0 4 0	0 2 A	16
A 9 0 1 1 0 4 4	1 0 C	19	A 9 0 5 6 0 4 1	0 2 C	1
A 9 0 1 1 1 0 3	1 0 B	15	A 9 0 5 6 0 4 2	0 4 C	28
A 9 0 1 1 1 2 3	1 0 B	16	A 9 0 6 8 0 3 2	0 6 - 1	21
A 9 0 1 1 2 3 6	1 0 B	7	A 9 0 6 8 0 3 2	0 6 - 2	22
A 9 0 1 1 2 3 6	1 0 C	3	E A Y 0 9 2 A 1	1 1	1
A 9 0 1 1 2 4 1	0 7	9	E B Y 0 1 6 2 5	0 6 - 2	19
A 9 0 1 1 2 4 8	0 4 A - 1	30	E B Y 0 1 7 1 0	1 1	14
A 9 0 1 1 2 5 0	1 0 E	9	E B Y 0 2 5 8 0	0 6 - 1	17
A 9 0 1 1 2 5 1	0 3	28	E B Y 0 2 6 1 0	0 6 - 2	18
A 9 0 1 1 2 5 6	1 0 B	3	E B Y 0 2 6 2 0	1 1	10
A 9 0 1 1 2 5 7	1 0 C	13	E B Y 0 2 6 5 0	1 1	6
A 9 0 1 1 2 6 0	1 0 D	9	E B Y 0 2 6 6 1	1 1	7
A 9 0 1 2 0 2 7	0 1 A	11	E B Y 0 2 6 7 0	1 1	2
A 9 0 1 2 0 5 3	0 4 C	13	E D Y 0 0 2 7 0	1 0 C	16
A 9 0 1 2 1 1 4	0 2 B	12	E B Y 0 2 7 2 0	1 1	13
A 9 0 1 2 1 2 7	0 4 C	24	E D Y 0 0 2 7 0	1 0 D	6
A 9 0 1 2 1 6 4	1 0 B	11	E B Y 0 2 7 6 1	1 1	4
A 9 0 1 2 1 6 4	1 0 C	11	E B Y 0 2 8 0 0	0 8	1
A 9 0 1 2 3 6 8	0 4 B	9	F N 0 7 0 0 1 1 Q 1	0 4 A - 1	15
A 9 0 1 2 4 2 1	0 3	19	F N 0 7 0 0 1 1 Q 1	0 4 A - 2	14
A 9 0 1 2 4 3 3	0 0	3	F R 9 2 3 3 0 4 3 8 A 5 2 0 A	1 0 A	8
A 9 0 1 2 4 3 7	1 0 A	2	H B 2 3 0 0 7 0	0 3	22
A 9 0 1 2 4 3 8	0 6 - 2	4	H B 2 3 0 0 8 0	0 3	21
A 9 0 1 2 4 3 9	0 1 B	16	H B 2 3 0 2 0 0	0 4 B	5
A 9 0 1 2 4 4 6	0 6 - 1	28	H B 2 3 0 2 2 0	0 4 C	9
A 9 0 1 3 0 6 6	0 2 A	12	H B 2 3 0 2 6 1	0 4 C	8
A 9 0 1 3 0 7 1	0 1 B	19	H B 2 3 0 2 7 1	0 4 C	3
A 9 0 1 3 0 7 2	1 0 E	6	H B 2 3 0 2 8 1	0 4 C	6
A 9 0 1 4 1 6 6	0 4 C	21	H B 2 3 0 3 6 1	0 4 C	5
A 9 0 1 4 1 6 7	0 4 A - 1	20	H B 2 3 0 6 2 0	0 3	24
A 9 0 1 4 1 6 7	0 4 A - 2	19	H B 2 3 0 6 5 0	0 3	7
A 9 0 1 4 1 6 8	0 4 D	23	H B 2 3 0 8 0 0	0 3	1
A 9 0 1 9 0 3 7	0 4 C	15	H B 2 4 0 0 2 0	0 5	6
A 9 0 1 9 0 7 1	0 0	13	H B 2 4 0 0 3 0	0 5	7
A 9 0 2 0 2 1 0	0 1 B	7	H B 2 4 0 0 4 1	0 5	9
A 9 0 2 0 2 1 4	0 8	4	H H 4 8 1 9 8 0	0 1 B	18
A 9 0 2 0 2 1 5	1 0 B	5	H H 4 8 1 9 8 0	0 3	33
A 9 0 2 0 2 1 5	1 0 C	5	H H 4 8 1 9 8 0	1 0 B	4
A 9 0 2 0 2 1 6	1 0 E	7	H H 4 8 1 9 8 0	1 0 C	6
A 9 0 2 0 2 1 7	0 1 B	9	H P 2 3 1 3 7 0	0 4 B	26

I N D E X

LIST No.	SECTION №	ITEM	LIST No.	SECTION №	ITEM
HS210031	01A	9	KC270101	04C	27
HS210051	02A	1	KC271001	02A	3
HS210080	02A	20	KC271120	02B	11
HS210300	02A	2	KC271940	02A	19
HS220010	01A	6	KF220230	01A	5
HT220061	01A	18	KF220240	01A	4
HT230120	04A-1	11	KF220290	01A	17
HT230120	04A-2	10	KF220530	01A	2
HT230220	05	4	KF220710	01A	3
HT230251	04A-1	5	KF221020	01A	1
HT230263	04A-1	7	KF230501	03	10
HT230263	04A-2	6	KF230680	03	11
HT230280	04B	12	KF230910	04A-1	10
HT230290	04B	7	KF230910	04A-2	9
HT230320	04B	27	KF710390	12	8
HT230330	04A-1	6	KL220140	01A	12
HT230330	04A-2	5	KL270091	02C	8
HT230340	04B	31	KL270101	02C	9
HT230410	04C	7	KL270120	02C	11
HT230420	04C	10	KL270131	02C	10
HT230460	04B	23	KL270260	02C	2
HT230471	04B	15	KL270450	02C	7
HT230480	04B	24	KN272010	02A	13
HT230491	04B	16	KN272401	02A	18
HT230500	04B	25	KN272401	02C	5
HT230510	04B	6	KN540510	06-1	19
HT230520	04B	8	KN540510	06-2	9
HT230560	04B	13	KX230040	04A-1	26
HT230620	05	5	KX230071	04B	4
HT230730	04B	17	KX240161	04D	5
HT230750	04B	14	KX250080	01A	13
HT230760	04B	21	KX250080	02A	5
HT230770	04B	22	KX270000	02A	22
HT240101	06-1	7	KX270010	02A	10
HT240101	06-2	10	KX270050	02C	13
HT240180	06-1	10	KX270070	02C	15
HT240180	06-2	11	KX270370	02C	14
HT240290	06-1	6	KX270430	02A	21
HT240290	06-2	7	KX330160	07	15
HT240480	12	14	KX330280	07	19
HT230251	04A-2	4	LA230080	04C	14
HT270063	04D	12	LA230140	04C	16
HT270181	02A	14	LA250040	01A	15
HT710000	12	9	LA270040	02A	17
KC250482	01A	10	LA270080	02C	16

I N D E X

LIST No.	SECTION №	ITEM	LIST No.	SECTION №	ITEM
LA270120	02C	16	MH240021	06-1	16
LA270150	02C	12	MH240030	06-1	18
LA270160	02C	12	MH240041	06-1	22
LA730600	10A	7	MH240051	06-1	23
LA730610	10A	5	MP240030	06-1	2
LA730630	10A	6	PE250000	04D	4
LA730650	10A	4	MH270130	04D	8
MB295250	02B	4	MH270140	04D	9
MB295260	02B	7	MH270150	04D	14
MB295270	02B	6	MH310011	01B	20
MB295290	02B	5	MH310091	01B	8
MF210070	02B	3	MH480030	10B	6
MF210080	02B	2	MH480030	10C	4
MF310001	08	3	MH480040	10B	10
MF330020	07	18	MH480040	10C	12
MF510000	01B	21	MH480060	10C	9
MF510010	07	12	MH480120	10B	12
MF510020	02B	10	MH480120	10C	14
MF510030	08	1	MH480180	10E	8
MG210050	02B	9	MH480190	10E	10
MG210070	02B	8	MH480230	10E	5
MG330000	07	17	MH480240	10E	11
MG330010	07	16	MH480280	10E	3
MG330030	07	5	MH480290	10C	8
MG330040	07	4	MH710051	12	13
MG330060	07	2	MH790010	00	10
MG330070	07	11	MK110031	00	11
MG330080	07	10	MK110010	00	15
MG330090	07	1	MK120030	00	1
MG330110	07	3	MK120040	00	2
MH120010	00	5	MK120020	00	4
			MK210021	01B	4
SW230000	04A-1	24	MK210031	01A	16
MH230022	04A-1	25	MK210040	01A	8
MH230031	04A-1	21	MK220000	01A	7
MH230040	04A-1	23	MK220010	03	31
MH230100	04A-1	22	MK230001	01B	17
MH230110	04A-1	19	MK230001	03	32
MH230140	04B	1	MK230010	04A-1	28
MH230150	04C	1	MK230010	04A-2	27
MH230161	05	2	MK230020	04A-1	27
MH230170	04B	3	MK230020	04A-2	26
MH230180	04B	2	MK230040	04A-1	18
MH230200	04B	28	MK230040	04A-2	17
MH240011	06-1	15	MK230050	04A-1	17

I N D E X

L I S T No.	SECTION №	ITEM	L I S T No.	SECTION №	ITEM
MK 2 3 0 0 5 0	0 4 A - 2	16	MK 3 1 0 0 8 1	0 8	3
MK 2 3 0 0 7 1	0 4 C	11			
MK 2 3 0 0 8 0	0 4 C	12	MK 3 2 0 0 0 1	0 1 B	10
MK 2 3 0 0 9 0	0 4 A - 1	16	MK 3 3 0 0 0 0	0 7	7
MK 2 3 0 0 9 0	0 4 A - 2	15	MK 4 8 0 0 0 1	1 0 B	1
MK 2 3 0 1 0 0	0 4 A - 2	28	MK 4 8 0 0 1 1	1 0 C	2
MK 2 3 0 1 1 0	0 4 A - 1	29	MK 4 8 0 0 2 0	1 0 C	7
MK 2 3 0 1 2 0	0 3	8	MK 4 8 0 0 3 0	1 0 B	8
MK 2 3 0 1 3 0	0 3	2	MK 4 8 0 0 4 0	1 0 B	13
MP 2 4 0 0 1 0	0 6 - 1	1	MK 4 8 0 0 4 0	1 0 C	15
MK 2 4 0 0 3 1	0 6 - 1	24	MK 4 8 0 0 5 0	1 0 B	2
MK 2 4 0 0 4 1	0 6 - 1	25	MK 4 8 0 0 6 0	1 0 B	9
MK 2 4 0 0 5 0	0 6 - 1	26	MK 4 8 0 0 6 0	1 0 C	10
MK 2 4 0 0 6 0	0 6 - 1	27	MK 4 8 0 3 4 1	1 0 C	17
MK 2 5 0 0 0 0	0 1 A	14	MK 4 8 0 3 5 0	1 0 C	1
MK 2 5 0 2 5 1	0 0	7	MK 4 8 0 0 9 1	1 0 E	4
MK 2 5 0 2 6 1	0 0	6	MK 4 8 0 1 0 2	1 0 E	12
MK 2 5 0 2 7 0	0 0	9	MK 4 8 0 1 5 2	1 0 D	7
MK 2 5 0 2 8 0	0 0	8	MK 4 8 0 1 6 2	1 0 D	2
MP 2 5 0 0 0 0	0 0	12	MK 4 8 0 3 3 0	1 0 C	20
MK 2 5 0 0 6 0	0 0	14	MK 4 8 0 2 5 0	1 0 D	1
MK 2 5 0 0 7 0	0 7	8	MK 4 8 0 2 6 0	1 0 D	10
MK 2 5 0 0 8 1	0 7	13	MK 4 8 0 2 7 0	1 0 D	3
MK 2 5 0 0 9 0	1 0 C	18	MK 4 8 0 2 8 0	1 0 E	13
MK 2 5 0 3 0 0	1 0 B	14	MK 4 8 0 2 9 0	1 0 E	14
MK 2 5 0 1 1 1	1 0 E	1	MK 4 8 0 3 0 0	1 0 D	5
MK 2 5 0 1 2 1	1 0 E	2	MK 4 8 0 3 1 0	1 0 D	8
MK 2 5 0 1 3 1	0 1 B	1	MK 4 8 0 3 2 0	1 0 D	4
MK 2 5 0 1 4 0	1 1	9	MP 7 1 0 0 0 0	1 2	1
MK 2 5 0 1 5 0	1 1	11	MK 7 1 0 0 1 0	1 2	12
MK 2 5 0 1 7 0	1 1	5	MK 7 1 0 0 2 0	1 2	1
MK 2 5 0 1 8 0	1 1	12	MK 7 3 0 0 1 3	1 0 A	3
MK 2 5 0 1 9 0	0 1 B	2	MK 7 3 0 0 5 0	1 0 A	1
MK 2 5 0 2 1 0	1 1	8	MK 7 3 0 0 6 0	1 0 A	9
MK 2 5 0 2 2 0	0 4 D	20	MK 7 9 0 0 0 0	0 1 B	12
MK 2 7 0 0 0 0	0 2 A	15	MM 2 7 0 0 0 0	0 4 C	19
MK 2 7 0 0 1 0	0 2 A	4	RD 2 3 0 0 6 0	0 4 A - 2	23
MK 3 1 0 0 0 1	0 8	2	RD 2 3 0 1 3 0	0 3	9
MK 3 1 0 0 1 0	0 1 B	3	RD 2 3 0 2 5 0	0 5	8
MK 3 1 0 0 2 0	0 1 B	5	RD 2 3 0 3 7 0	0 4 A - 1	9
MK 3 1 0 0 3 0	0 1 B	6	RD 2 3 0 3 7 0	0 4 A - 2	8
MK 3 1 0 0 4 1	0 3	13	RD 2 3 0 4 8 0	0 4 A - 1	2
MK 3 1 0 0 5 0	0 3	29	RD 2 3 0 4 8 0	0 4 A - 2	1
MK 3 1 0 0 6 0	0 1 B	14	RD 2 3 0 4 9 0	0 4 A - 1	3
MK 3 1 0 0 7 1	0 1 B	13	RD 2 3 0 4 9 0	0 4 A - 2	2

I N D E X

LIST No.	SECTION №	ITEM	LIST No.	SECTION №	ITEM
RD240154	06-1	8	RR240330	06-1	13
RD240154	06-2	5	RR240330	06-2	20
RD240271	04D	3	RR240340	06-1	14
RD270020	02C	14	RR240390	06-2	12
RD270040	02C	13	RR240510	06-1	9
RV710050	12	11	RR240510	06-2	6
RD710330	12	4	RV230250	04B	30
RD710340	12	3	PG240010	06-2	13
RD710351	12	7	PG240040	06-2	3
RD710361	12	6	RV240040	06-2	14
RD710370	12	2	RV240050	06-2	15
RD710380	12	5	RV240062	06-2	17
RH230271	03	27	RV240071	06-2	24
RH230280	03	26	RV240081	06-2	23
RH230300	03	25	RV240091	06-2	16
RH230311	03	4	RV240100	06-2	1
RH230320	03	12	RV240110	06-2	2
RH230330	03	30	RV250070	04D	1
RH230410	04A-1	4	SC710010	12	10
RH230410	04A-2	3	P240040	06-1	3
RH230440	04A-1	12	SF240061	06-1	20
RH230440	04A-2	11	SG230000	04B	29
RH230450	04A-1	14	SG230220	04A-1	8
RH230450	04A-2	13	SG230220	04A-2	7
RH230460	04A-1	13	RR230240	03	23
RH230460	04A-2	12	SG230260	05	3
RH230540	04B	11	SG230280	04D	6
RH230550	04B	10	SG230300	04C	17
RH230610	03	6	RR230250	03	14
RH230801	03	3	SG250060	04D	21
RH230810	03	5	SG250230	04D	22
RN230010	03	15	SG270000	04D	11
RN230020	03	20	SG270050	04C	20
RN230030	03	16	SG270060	04C	22
RN230040	03	17	SG270070	04C	23
RR230080	04C	4	SG270081	02C	4
RR230090	04C	2	SG270090	02C	6
RR230130	04B	18	SG270110	04C	26
RR230140	04B	20	SG270120	04C	25
RR230150	04B	19	SG270130	04D	10
RR240280	06-1	4	SG270140	04D	7
RR240300	06-1	5	SG270180	04D	13
RR240300	06-2	8	SJ220010	01A	19
RR240310	06-1	11	PG240020	06-2	21
RR240320	06-1	12	SJ270010	02A	7

I N D E X

L I S T No.	SECTION №	ITEM	L I S T No.	SECTION №	ITEM
S J 2 7 0 0 2 0	0 2 A	8			
S J 2 7 0 0 3 0	0 2 A	11			
S J 2 7 0 0 4 0	0 2 A	9			
S J 2 7 0 1 1 0	0 2 A	23			
S J 2 7 0 1 2 0	0 2 A	6			
S J 3 2 0 0 1 0	0 1 B	11			
S L 2 3 0 0 0 1	0 4 A - 2	24			
S L 2 3 0 0 2 1	0 4 A - 2	25			
S L 2 3 0 0 3 1	0 4 A - 2	20			
S L 2 3 0 0 4 0	0 4 A - 2	18			
S L 2 3 0 0 7 0	0 4 A - 2	22			
S L 2 3 0 0 8 0	0 4 A - 2	21			
S L 2 3 0 0 9 0	0 4 A - 2	30			
S L 2 3 0 1 4 0	0 4 A - 2	29			
P G 2 5 0 0 0 0	0 4 D	2			
S L 2 7 0 0 0 0	0 4 D	16			
S L 2 7 0 0 1 0	0 4 D	17			
S L 2 7 0 0 2 0	0 4 D	19			
S L 2 7 0 0 3 0	0 4 D	18			
S L 2 7 0 0 4 0	0 4 D	15			